



- Ⓔ EN Hydro-Pneumatic Power Tool
- Ⓔ ESM Herramienta hidroneumática
- Ⓔ FRC Outil électrique hydro-pneumatique
- Ⓔ PTB Ferramenta Elétrica Hidropneumática



ProSet® XT1 Blind Rivet Tool – 76001  
ProSet® XT2 Blind Rivet Tool – 76002

# Hydro-Pneumatic Power Tool

Figure 1

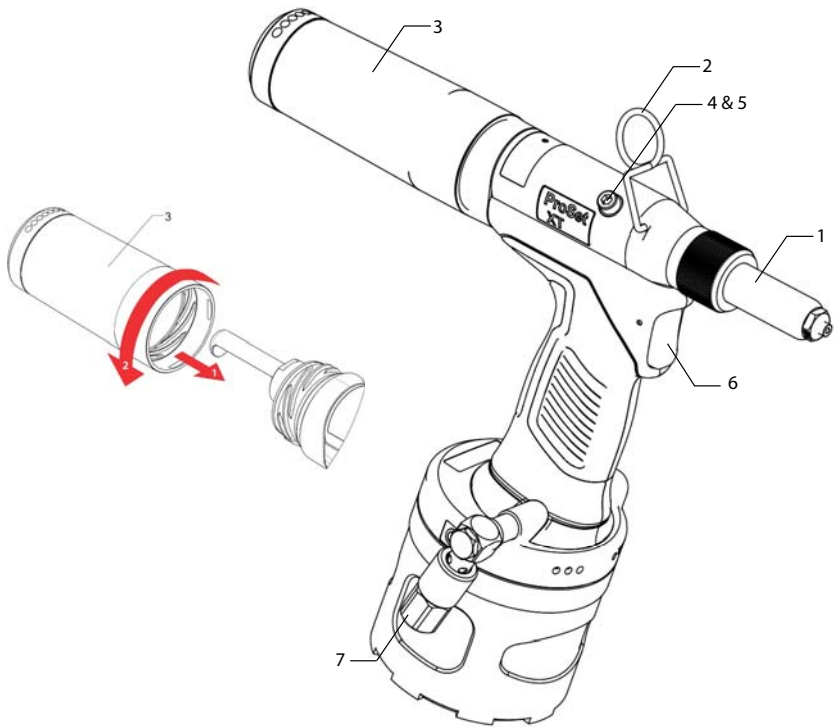


Figure 2

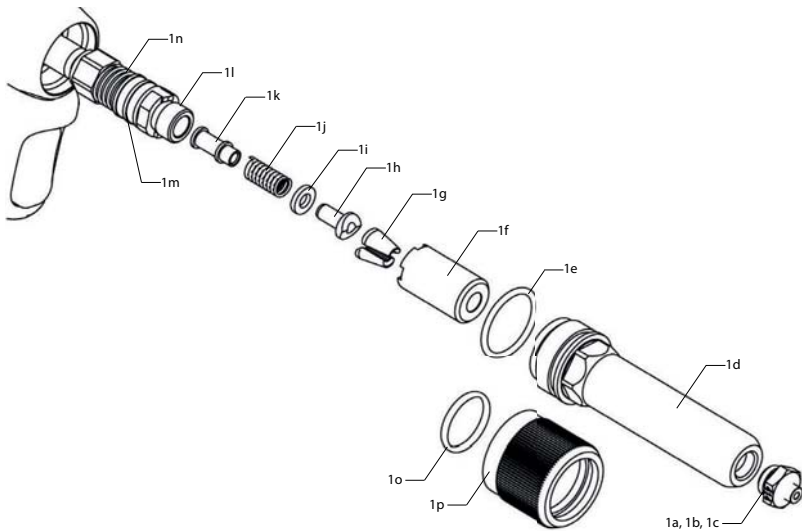


Figure 3

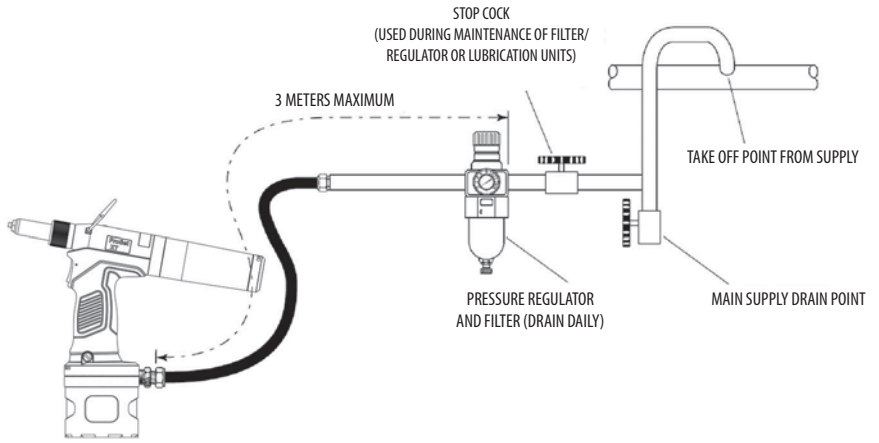


Figure 4

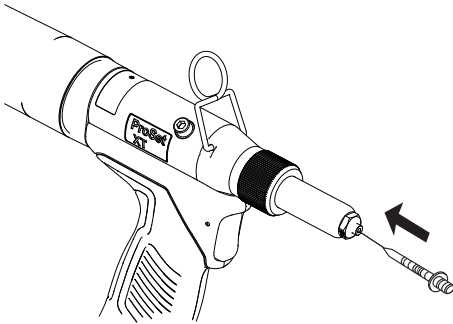


Figure 5

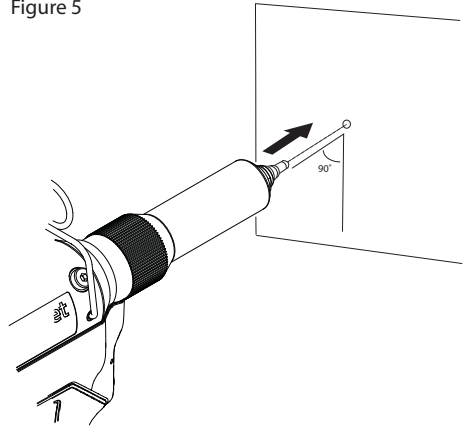
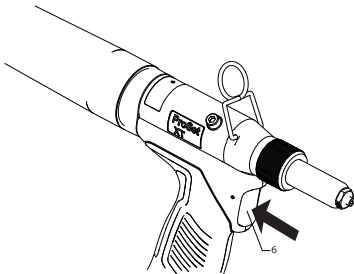


Figure 6







© 2017 Stanley Black & Decker, Inc.  
All rights reserved.

The information provided may not be reproduced and/or made public in any way and through any means (electronically or mechanically) without prior explicit and written permission from STANLEY Engineered Fastening. The information provided is based on the data known at the moment of the introduction of this product. STANLEY Engineered Fastening pursues a policy of continuous product improvement and therefore the products may be subject to change. The information provided is applicable to the product as delivered by STANLEY Engineered Fastening. Therefore, STANLEY Engineered Fastening cannot be held liable for any damage resulting from deviations from the original specifications of the product.

The information available has been composed with the utmost care. However, STANLEY Engineered Fastening will not accept any liability with respect to any faults in the information nor for the consequences thereof. STANLEY Engineered Fastening will not accept any liability for damage resulting from activities carried out by third parties. The working names, trade names, registered trademarks, etc. used by STANLEY Engineered Fastening should not be considered as being free, pursuant to the legislation with respect to the protection of trade marks.

## CONTENT

<b>1. SAFETY DEFINITIONS .....</b>	<b>5</b>
1.1 GENERAL SAFETY RULES .....	5
1.2 PROJECTILE HAZARDS.....	5
1.3 OPERATING HAZARDS .....	6
1.4 REPETITIVE MOTIONS HAZARDS.....	6
1.5 ACCESSORY HAZARDS .....	6
1.6 WORKPLACE HAZARDS.....	6
1.7 NOISE HAZARDS .....	7
1.8 VIBRATION HAZARDS.....	7
1.9 ADDITIONAL SAFETY INSTRUCTIONS FOR PNEUMATIC POWER TOOLS.....	7
<b>2. SPECIFICATIONS.....</b>	<b>8</b>
2.1. TOOL SPECIFICATIONS.....	8
2.2 PLACING SPECIFICATIONS .....	9
2.3 THE PACKAGE CONTENTS .....	9
2.4 MAIN COMPONENTS LIST .....	10
2.5 STANDARD NOSE EQUIPMENT.....	10
<b>3. TOOL SET UP.....</b>	<b>11</b>
3.1 NOSE EQUIPMENT (Ref. fig. 2).....	11
3.2 AIR SUPPLY (Ref. fig. 3.) .....	11
3.3 PRINCIPLE OF OPERATION.....	12
<b>4. OPERATION PROCEDURE.....</b>	<b>13</b>
4.1 TOOL OPERATION (Ref. fig. 1, 4, 5, 6).....	13
4.2 EMPTYING THE MANDREL COLLECTOR. (Ref. fig. 1) .....	13
<b>5. SERVICING THE TOOL.....</b>	<b>14</b>
5.1 MAINTENANCE FREQUENCY.....	14
5.2 NOSE EQUIPMENT .....	14
5.3 DAILY SERVICING.....	14
5.4 WEEKLY SERVICING .....	14
5.5 PROTECTING THE ENVIRONMENT.....	14
<b>6. EC-DECLARATION OF CONFORMITY.....</b>	<b>15</b>
<b>7. PROTECT YOUR INVESTMENT! .....</b>	<b>16</b>
7.1 POP®Avdel® BLIND RIVET TOOL WARRANTY.....	16
7.2 REGISTER YOUR BLIND RIVET TOOL ONLINE.....	16

-  This instruction manual must be read by any person installing or operating this tool with particular attention to the following safety rules.
-  Always wear impact-resistant eye protection during operation of the tool. The grade of protection required should be assessed for each use.
-  Use hearing protection in accordance with employe's instructions and as required by occupational health and safety regulations.
-  Use of the tool can expose the operator's hands to hazards, including crushing, impacts, cuts and abrasions and heat. Wear suitable gloves to protect hands.

## 1. SAFETY DEFINITIONS

The definitions below describe the level of severity for each signal word. Please read the manual and pay attention to these symbols.



**DANGER:** Indicates an imminently hazardous situation which, if not avoided, will result in death or serious injury.



**WARNING:** Indicates a potentially hazardous situation which, if not avoided, could result in death or serious injury.



**CAUTION:** Indicates a potentially hazardous situation which, if not avoided, may result in minor or moderate injury.



**CAUTION:** Used without the safety alert symbol indicates a potentially hazardous situation which, if not avoided, may result in property damage.

***Improper operation or maintenance of this product could result in serious injury and property damage. Read and understand all warnings and operating instructions before using this equipment. When using power tools, basic safety precautions must always be followed to reduce the risk of personal injury.***

**SAVE ALL WARNINGS AND INSTRUCTIONS FOR FUTURE REFERENCE.**

### 1.1 GENERAL SAFETY RULES

- For multiple hazards, read and understand the safety instructions before installing, operating, repairing, maintaining, changing accessories on, or working near the tool. Failure to do so can result in serious bodily injury.
- Only qualified and trained operators must install, adjust or use the tool.
- DO NOT use outside the design intent of placing STANLEY Engineered Fastening Blind Rivets.
- Use only parts, fasteners, and accessories recommended by the manufacturer.
- DO NOT modify the tool. Modifications can reduce the effectiveness of safety measures and increase the risks to the operator. Any modification to the tool undertaken by the customer will be the customer's entire responsibility and void any applicable warranties.
- Do not discard the safety instructions; give them to the operator.
- Do not use the tool if it has been damaged.
- Prior to use, check for misalignment or binding of moving parts, breakage of parts, and any other condition that affects the tool's operation. If damaged, have the tool serviced before using. Remove any adjusting key or wrench before use.
- Tools shall be inspected periodically to verify that the ratings and markings required by this part of ISO 11148 are legibly marked on the tool. The employer/user shall contact the manufacturer to obtain replacement marking labels when necessary.
- The tool must be maintained in a safe working condition at all times and examined at regular intervals for damage and function by trained personnel. Any dismantling procedure will be undertaken only by trained personnel. Do not dismantle this tool without prior reference to the maintenance instructions.

### 1.2 PROJECTILE HAZARDS

- Disconnect the air supply from the tool before performing any maintenance, attempting to adjust, fit or remove a nose assembly or accessories.

- Be aware that failure of the workpiece or accessories, or even of the inserted tool itself can generate highvelocity projectiles.
- Always wear impact-resistant eye protection during operation of the tool. The grade of protection required should be assessed for each use.
- The risks to others should also be assessed at this time.
- Ensure that the workpiece is securely fixed.
- Check that the means of protection from ejection of fastener and/or mandrel is in place and is operative.
- DO NOT use the tool without mandrel collector installed.
- Warn against the possible forcible ejection of mandrels from the front of the tool.
- DO NOT operate a tool that is directed towards any person(s).

### **1.3 OPERATING HAZARDS**

- Use of the tool can expose the operator's hands to hazards, including crushing, impacts, cuts and abrasions and heat. Wear suitable gloves to protect hands.
- Operators and maintenance personnel shall be physically able to handle the bulk, weight and power of the tool.
- Hold the tool correctly; be ready to counteract normal or sudden movements and have both hands available.
- Keep tool handles dry, clean, and free from oil and grease.
- Maintain a balanced body position and secure footing when operating the tool.
- Release the start-and-stop device in the case of an interruption of the air supply.
- Use only lubricants recommended by the manufacturer.
- Contact with hydraulic fluid should be avoided. To minimise the possibility of rashes, care should be taken to wash thoroughly if contact occurs.
- Material Safety Data Sheets for all hydraulic oils and lubricants is available on request from your tool supplier.
- Avoid unsuitable postures as it is likely for these positions not to allow counteracting of normal or unexpected movement of the tool.
- If the tool is fixed to a suspension device, make sure that the fixation is secure.
- Beware of the risk of crushing or pinching if nose equipment is not fitted.
- DO NOT operate tool with the nose casing removed.
- Adequate clearance is required for the tool operator's hands before proceeding.
- When carrying the tool from place to place keep hands away from the trigger to avoid inadvertent activation.
- DO NOT abuse the tool by dropping or using it as a hammer.
- Care should be taken to ensure that spent mandrels do not create a hazard.
- The mandrel collector must be emptied when approximately half full.

### **1.4 REPETITIVE MOTIONS HAZARDS**

- When using the tool, the operator can experience discomfort in the hands, arms, shoulders, neck or other parts of the body.
- While using the tool, the operator should adopt a comfortable posture whilst maintaining a secure footing and avoiding awkward or off -balance postures. The operator should change posture during extended tasks; this can help avoid discomfort and fatigue.
- If the operator experiences symptoms such as persistent or recurring discomfort, pain, throbbing, aching, tingling, numbness, burning sensations or stiff ness, these warning signs should not be ignored. The operator should tell the employer and consult a qualified health professional.

### **1.5 ACCESSORY HAZARDS**

- Disconnect the tool from the air supply before fitting or removing the nose assembly or accessory.
- Use only sizes and types of accessories and consumables that are recommended by the manufacturer of the tool; do not use other types or sizes of accessories or consumables.

### **1.6 WORKPLACE HAZARDS**

- Slips, trips and falls are major causes of workplace injury. Be aware of slippery surfaces caused by use of the tool and also of trip hazards caused by the air line or hydraulic hose.

- Proceed with care in unfamiliar surroundings. There can be hidden hazards, such as electricity or other utility lines.
- The tool is not intended for use in potentially explosive atmospheres and is not insulated against contact with electric power.
- Ensure that there are no electrical cables, gas pipes, etc., which can cause a hazard if damaged by use of the tool.
- Dress properly. Do not wear loose clothing or jewellery. Keep your hair, clothing and gloves away from moving parts. Loose clothes, jewellery or long hair can be caught in moving parts.
- Care should be taken to ensure that spent mandrels do not create a hazard.

### **1.7 NOISE HAZARDS**

- Exposure to high noise levels can cause permanent, disabling hearing loss and other problems, such as tinnitus (ringing, buzzing, whistling or humming in the ears). Therefore, risk assessment and the implementation of appropriate controls for these hazards are essential.
- Appropriate controls to reduce the risk may include actions such as damping materials to prevent workpieces from “ringing”.
- Use hearing protection in accordance with employer’s instructions and as required by occupational health and safety regulations.
- Operate and maintain the tool as recommended in the instruction manual, to prevent an unnecessary increase in the noise level.
- Ensure that the silencer within the mandrel collector is in place and in good working order when the tool is being operated.

### **1.8 VIBRATION HAZARDS**

- Exposure to vibration can cause disabling damage to the nerves and blood supply of the hands and arms.
- Wear warm clothing when working in cold conditions and keep your hands warm and dry.
- If you experience numbness, tingling, pain or whitening of the skin in your fingers or hands, stop using the tool, tell your employer and consult a physician.
- Where possible support the weight of the tool in a stand, tensioner or balancer, because a lighter grip can then be used to support the tool.

### **1.9 ADDITIONAL SAFETY INSTRUCTIONS FOR PNEUMATIC POWER TOOLS**

- The operating supply air must not exceed 7 bar (100 PSI).
- Air under pressure can cause severe injury.
- Never leave operating tool unattended. Disconnect air hose when tool is not in use, before changing accessories or when making repairs.
- DO NOT let air exhaust opening on the mandrel collector face in the direction of the operator or other persons. Never direct air at yourself or anyone else.
- Whipping hoses can cause severe injury. Always check for damaged or loose hoses and fittings.
- Prior to use, inspect airlines for damage, all connections must be secure. Do not drop heavy objects on hoses. A sharp impact may cause internal damage and lead to premature hose failure.
- Cold air shall be directed away from hands.
- Whenever universal twist couplings (claw couplings) are used, lock pins shall be installed and whipcheck safety cables shall be used to safeguard against possible hose-to-tool or hose-to-hose connection failure.
- DO NOT lift the placing tool by the hose. Always use the placing tool handle.
- Vent holes must not become blocked or covered.
- Keep dirt and foreign matter out of the hydraulic system of the tool as this will cause the tool to malfunction.

**STANLEY Engineered Fastening policy is one of continuous product development and improvement and we reserve the right to change the specification of any product without prior notice.**

## 2. SPECIFICATIONS

The ProSet® XT1 & XT2 are hydro-pneumatic tools designed to place Stanley Engineered Fastening blind rivets at high speed. The tools feature a vacuum system for rivet retention and trouble free collection of the spent mandrels regardless of tool orientation.

When coupled to the relevant nose equipment the ProSet® XT1 & XT2 can be used to place blind rivets in the range of  $\varnothing$  2.4mm to  $\varnothing$  4.8mm. Refer to the table on page 7 for a list of all rivets that can be placed.

The safety warnings on pages 4 & 5 must be followed at all times.

**DO NOT** use under wet conditions or in the presence of flammable liquids or gases.

### 2.1. TOOL SPECIFICATIONS

	XT1		XT2	
<b>Pull-Force:</b> @ 5.5 bar	6.5 kN	1461 lbf	8.9 kN	2001 lbf
<b>Air Supply Pressure:</b> Min. to Max.	5.0 - 7.0 bar	72.5 - 101.5 lbf/in <sup>2</sup>	5.0 - 7.0 bar	72.5 - 101.5 lbf/in <sup>2</sup>
<b>Oil Pressure:</b> Pull @ 5.5 bar	160 bar	2320 lbf/in <sup>2</sup>	210 bar	3045 lbf/in <sup>2</sup>
<b>Stroke:</b> Minimum Piston Stroke	17.8 mm	0.7 in.	19.8 mm	0.79 in.
<b>Weight:</b> Incl. nose equipment	1.23 kg	2.58 lb	1.32 kg	2.78 lb
<b>Weight:</b> without nose equipment	1.11 kg	2.36 lb	1.17 kg	2.54 lb
<b>Free Air Volume:</b> @ 5.5 bar	1.5 ltr	91.5 in <sup>3</sup>	2.5 ltr	134.2 in <sup>3</sup>
<b>Cycle Time:</b> Approximate	0.4 seconds		0.6 seconds	

<b>Noise values determined according to noise test code ISO 15744 and ISO 3744.</b>		XT1	XT2
A-weighted sound power level dB(A), $L_{WA}$	Uncertainty noise: $k_{WA} = 3.0$ dB(A)	89.9 dB(A)	89.5 dB(A)
A-weighted emission sound pressure level at the work station dB(A), $L_{pA}$	Uncertainty noise: $k_{pA} = 3.0$ dB(A)	78.9 dB(A)	78.5 dB(A)
C-weighted peak emission sound pressure level dB(C), $L_{pC}$ , peak	Uncertainty noise: $k_{pC} = 3.0$ dB(C)	80.4 dB(C)	78.9 dB(A)

<b>Vibration values determined according to vibration test code ISO 20643 and ISO 5349.</b>	XT1	XT2
Vibration emission level, $a_{hd}$ :	0.84 m/s <sup>2</sup>	0.74 m/s <sup>2</sup>
Uncertainty vibration: k	0.42 m/s <sup>2</sup>	0.37 m/s <sup>2</sup>
Declared vibration emission values in accordance with EN 12096		



## 2.2 PLACING SPECIFICATIONS

Rivet Type	2,4 [3/32"]	3,2 [1/8"]	4,0 [5/32"]	4,3	4,8 [3/16"]	5,0	6,0	7,0
Open End	①	●	●		②			
Closed End	①	●	●		②			
HR		●	②		②			
SSD SSHR		● (1)	② (1)					
Multi-Grip		●	●		②			
TL		●	●		②			
Pull-Thru		●						
T-Rivet (Emhart)					② (1)			
Self-Pluggger		●	●		②			
Ultra-Grip (UG) (NPR)					②			
Avex <sup>®</sup>		●	●		②			
Stavex <sup>®</sup>		●	②		②			
Avinox <sup>®</sup>		●	②		②			
Avibulb <sup>®</sup>		●	②		②			
LSR/Bulbex <sup>®</sup>			●		②			
T-Lok <sup>®</sup>				②	②			
Avdel <sup>®</sup> SR		●	●		②			
Interlock <sup>®</sup>					②			
Monobolt <sup>®</sup>					② (1)			
Avseal <sup>®</sup> (STD)			② (1)(2)			② (1)(2)	② (1)(2)	② (1)(2)
Q Rivet		②	②		②			
Klamp-Tite BAPK <sup>®</sup>					②			
Klamp-Tite BAPKTR <sup>®</sup>					② (1)			
VGrip					②			

● Is applicable for both XT1 and XT2 tool

① Is only applicable for XT1 tool

② Is only applicable for XT2 tool

(1) Non-standard nose piece required

(2) Non-standard nose equipment required.

For a full list of compatible nose equipment for each rivet type, together with assembly and maintenance instructions, please refer to the ProSet Nose Equipment Manual 07900-09412

## 2.3 THE PACKAGE CONTENTS

- 1 ProSet<sup>®</sup> XT1 or XT2 blind rivet tool.
- 1 set Standard Nose Equipment & Nosepieces:  
**XT1:** 2.4 [3/32"], 3.2mm [1/8"] and 4.0m [5/32"]  
**XT2:** 3.2mm [1/8"], 4.0m [5/32"] 4.8mm [3/16"]
- 1 Printed Instruction Manual – region dependent.

## 2.4 MAIN COMPONENTS LIST

Refer to figure 1 & 2 and the table below.

Item	Part Number	Description	Qty
1	TRM00360	Standard nose equipment XT1 tool	1
	TRM00361	Standard nose equipment XT2 tool	
2	TP144-171	Suspension hook	1
3	TRM00227	Mandrel collector	1
4	07001-00405	Oil plug	1
5	07003-00194	Seal	1
6	76003-02008	Trigger	1
7	TRM00221	On/Off valve	1

## 2.5 STANDARD NOSE EQUIPMENT

Refer to figure 2 and the table below.

Item	XT1 tool Part Number	XT2 tool Part Number	Description	Qty
1a	PRN314	-	Nose Piece - 2.4mm [3/32"]	1
	-	PRN614	Nose Piece - 4.8 mm [3/16"] (fitted on XT2)	
1b	PRN414	PRN414	Nose Piece - 3.2 mm [1/8"] (fitted on XT1)	1
1c	PRN514	PRN514	Nose Piece - 4.0 mm [5/32"]	1
1d	TP144-111	TP144-048	Nose housing	1
1e	TP144-091	TP144-091	O-ring	1
1f	DPN239-006	DPN275-001	Jaw guide	1
1g	PRG402-8A	71210-15001	Jaws	1 Set
1h	TP144-117	TP144-050	Jaw pusher	1
1i	TP144-118	TP144-088	Urethane washer	1
1j	TP144-119	TP144-081	Jaw pusher spring	1
1k	TP144-120	TP144-052	Mandrel guide	1
1l	TRM00167	TRM00165	Pulling head	1
1m	TP144-113	TP144-051	Jaw guide lock	1
1n	TP144-114	TP144-080	Jaw guide lock spring	1
1o	DPN900-004	DPN900-002	O-ring	1
1p	TRM00238	TRM00239	Nose Housing Nut	1

For additional nose equipment please refer to the ProSet® Nose Equipment Manual 07900-09412 or visit [www.stanleyengineeredfastening.com/resource-center/document-library](http://www.stanleyengineeredfastening.com/resource-center/document-library)

For a full list of tool accessories, please refer to the ProSet Accessories Manual 07900-09413.

### 3. TOOL SET UP

**IMPORTANT - READ THE SAFETY WARNINGS ON PAGES 4 & 5 CAREFULLY BEFORE PUTTING INTO SERVICE.**

**IMPORTANT - THE AIR SUPPLY MUST BE TURNED OFF OR DISCONNECTED BEFORE FITTING OR REMOVING THE NOSE ASSEMBLY.**

#### 3.1 NOSE EQUIPMENT (REF. FIG. 2)

Item numbers in bold refer to the components in figures 1 & 2 and the tables on page 8.

The XT1 tool will be supplied pre-assembled with the nose piece for 3.2 mm [1/8"] rivets and nose pieces for 2.4 [3/32"] and 4.0mm [5/32] rivets are supplied separately.

The XT2 tool will be supplied pre-assembled with nose piece for 4.8 mm [3/16"] rivets and nose pieces for 3.2 [1/8"] and 4.0 [5/32"] rivets are supplied separately.

#### Mounting the nose piece

- The air supply must be disconnected.
- Select the correct nose piece for the rivet to be installed.
- Remove the nose housing nut (**1p**) and nose housing (**1d**), including nose piece (**1a, b or c**), and o-ring (**1e**) from the tool.
- Remove the nose piece (**1a,b,or c**) from the nose casing (**1d**)
- Select the relevant size nose piece and assemble in reverse order.

#### Removing complete nose equipment.

- The air supply must be disconnected.
- Remove the nose housing nut (**1p**) and nose housing (**1d**), including nose piece (**1a, b or c**), and o-ring (**1e**) from the tool.
- Pull back the jaw guide lock (**1m**) against the spring (**1n**) and then remove the jaw guide (**1f**).
- Remove the jaws (**1g**) from the jaw guide (**1f**).
- Remove jaw pusher (**1h**), urethane washer (**1i**), and Jaw pusher spring (**1j**), from the pulling head (**1l**).

#### Mounting the complete nose equipment

- The air supply must be disconnected
- Any worn or damaged part should be replaced.
- Clean and check wear on jaws (**1g**).
- Ensure that the jaw pusher (**1h**) or the jaw pusher spring (**1j**) are not distorted.
- Lightly coat jaws (**1g**) with moly lithium grease.
- Drop Jaws (**1g**) into the jaw guide (**1f**).
- Insert jaw pusher (**1h**) and urethane washer (**1i**) into the pulling head (**1l**).
- Pull back the jaw guide lock (**1m**) and screw the jaw guide (**1f**) fully on to the pulling head (**1l**).
- Release the jaw guide lock (**1m**) and then partially unscrew the jaw guide (**1f**) until the jaw guide lock (**1m**) tooth clicks into the next slot on the jaw guide (**1f**).
- Place nose casing (**1d**) over the jaw guide (**1f**) and tighten fully onto the tool.

Nose assemblies should be serviced at weekly intervals. You should hold some stock of all internal components of the nose assembly and nose tips as they will need regular replacement.

#### 3.2 AIR SUPPLY (Ref. fig. 3.)

Components

- Stop cock (used during maintenance of filter/regular or lubricated units)
  - Pressure regulator and filter (daily drain)
  - Main supply drain point
  - Take off point from main supply
- All tools are operated with compressed air at a minimum pressure of 5.0 bar.
  - Pressure regulators and automatic oiling/filtering systems to be used on the main air supply within 3 metres of the tool (see fig. 3).

- Air supply hoses will have a minimum working effective pressure rating of 150% of the maximum pressure produced in the system or 10 bar, whichever is the highest.
- Air hoses must be oil resistant, have an abrasion resistant exterior and be armoured where operating conditions may result in hoses being damaged.
- All air hoses MUST have a minimum bore diameter of 6.4 millimetres.
- Check for air leaks. If damaged, hoses and couplings must be replaced by new items.
- If there is no filter on the pressure regulator, bleed the airline to clear it of accumulated dirt or water before connecting air hose to the tool.

### **3.3 PRINCIPLE OF OPERATION**

**CAUTION - CORRECT SUPPLY PRESSURE IS IMPORTANT FOR PROPER FUNCTION OF THE INSTALLATION TOOL. PERSONAL INJURY OR DAMAGE TO EQUIPMENT MAY OCCUR WITHOUT CORRECT PRESSURES. THE SUPPLY PRESSURE MUST NOT EXCEED THAT LISTED IN THE PLACING TOOL SPECIFICATION**

Item numbers in bold refer to the components in figures 1 & 2 and the tables on page 10.

When the pneumatic hose is connected to the placing tool, the pull and return cycles of the tool are controlled by depressing and releasing the trigger (**6**) located in the handle.

- Air supply must be disconnected.
- Connect the appropriate nose equipment as described on page 9.
- Connect the pneumatic hose to the air on/off valve (**7**).
- Connect the pneumatic hose mains air supply.
- Switch on the mains supply to the tool by sliding the air on/off valve (**7**) to the up position.
- Air is now be supplied to the tool and the vacuum system is in operation.
- Pull and release the trigger (**6**) a few times to the full stroke of the tool to check operation. Observe action of tool. Check for fluid and/or air leaks.

---

## 4. OPERATION PROCEDURE

### 4.1 TOOL OPERATION (REF. FIG. 1, 4, 5, 6)

#### Installing a blind rivet

- Ensure that the mandrel collector (3) is fitted.
- Insert rivet mandrel into the nose piece (1a, b or c). The vacuum system will retain the rivet in the nose piece.
- Position the tool.
- Ensure nose equipment is at right angle (90°) to the work piece.
- Pull and hold trigger (6) until the rivet is fully set in the application.
- When the rivet has been set completely, release the trigger (6). The tool will return to its initial position automatically. The mandrel is automatically dropped into the mandrel collector (3) by the vacuum system.
- Mandrel collector must be emptied before it is half full.

**CAUTION –DO NOT FORCE THE INSERTION OF A RIVET MANDREL OR RIVET BODY. THIS WILL CAUSE DAMAGE TO THE TOOL AND/OR APPLICATION.**

### 4.2 EMPTYING THE MANDREL COLLECTOR. (REF. FIG. 1)

#### CAUTION - DO NOT USE THE TOOL WHEN THE MANDREL COLLECTOR IS REMOVED

- he tool is fitted with a quick connect/release mandrel collector (3).
- A 60° rotation removes or replaces the mandrel collector.
- Removing the mandrel collector (3) from the tool automatically turns OFF the vacuum rivet retention and mandrel extraction system.
- Refitting the mandrel collector turns the vacuum system ON.

## 5. SERVICING THE TOOL

### 5.1 MAINTENANCE FREQUENCY

Regular servicing must be carried out by trained personnel and a comprehensive inspection performed annually or every 500,000 cycles, whichever is sooner.



DISCONNECT AIR SUPPLY



**CAUTION** - *Never use solvents or other harsh chemicals for cleaning the non-metallic parts of the tool. These chemicals may weaken the materials used in these parts.*

### 5.2 NOSE EQUIPMENT

Nose assemblies need to be serviced at weekly intervals or every 5,000 cycles. Hold some stock of all internal components of the nose assembly and nose pieces, they need regular replacement.

- Disconnect the air supply
- Remove the complete nose assembly using the procedure described in section 3.1.
- Inspect all components. Any worn or damaged parts must be replaced by a new part.
- Particularly check wear on the Jaws (**1g**).
- Clean all parts and apply moly lithium Grease (07992-00020) to jaws (**1g**) and taper bore of jaw guide (**1f**).
- Assemble according to fitting instructions in section 3.2.

### 5.3 DAILY SERVICING

- Before use, check the tool, hose and couplings for air leaks and oil leaks. If damaged, remove the tool from service and replace affected items with new parts.
- If there is no filter on the pressure regulator, bleed the airline to clear it of accumulated dirt or water before connecting the air hose to the tool. If there is a filter, drain it.
- Check that the nose equipment (**1**) is correct for the rivet to be placed and that it is fitted properly.
- Check that the stroke of the tool meets the minimum specification (ref. 2.1).
- The mandrel collector (**3**) must fitted to the tool.
- Check that the air chamber is fully tightened onto the tool body.

### 5.4 WEEKLY SERVICING

- Check the tool, hose and couplings for air leaks and oil leaks. If damaged, remove the tool from service and replace affected items with new parts.

For full servicing, troubleshooting and maintenance instructions please refer to the Service Manual Nr. 07900-09408 for the XT1 and 07900-09409 for the XT2.

For Safety Data relating to the grease and oil used in this tool please refer to the Service Manual Nr. 07900-09408 for the XT1 and 07900-09409 for the XT2.

### 5.5 PROTECTING THE ENVIRONMENT

Assure conformity with applicable disposal regulations. Dispose all waste products at an approved waste facility or site so as not to expose personnel and the environment to hazards.

## 6. EC-DECLARATION OF CONFORMITY

### Original

We, **NIPPON POP Rivets, Noyori-cho aza hosoda, Toyohashi, Aichi, 441-8540 Japan**, declare under our sole responsibility that the product:

<b>Description</b>	ProSet® XT1 and XT2 Hydro-Pneumatic Tools for Blind Rivets
<b>Brand/Model</b>	POP-Avdel® / 76001 and POP Avdel® / 76002
<b>Serial No.</b>	

to which this declaration relates is in conformity with the following standard:

ISO 12100:2010	EN ISO 28927-5:2009/A1:2015
EN ISO 11202:2010	EN ISO 3744:2010
EN ISO 4413:2010	EN ISO 11148-1:2011
EN ISO 4414:2010	BS EN 28662-1:1993
	EN ISO 20643:2008+A1:2012

Technical documentation is compiled in accordance with Annex 1, section 1.7.4.1, in accordance with the following Directive:

### 2006/42/EC The Machinery Directive

UK Statutory Instruments 2008 No 1597 - The Supply of Machinery (Safety) Regulations refers.

### Nobuharu Naito

#### Senior Manager – R&D Engineering

Nippon POP Rivets, Noyori-cho aza hosoda Toyohashi  
Aichi, 441-8540 Japan

Signature



Place of issue

Japan

Date of issue

01.03.2017

### Authorised Representative:

**A.K. Seewraj**

#### Technology Manager – EU Blind Fastening

Avdel UK Limited; Stanley House, Works Road, Letchworth Garden City,  
Hertfordshire, SG6 1JY UNITED KINGDOM



This machinery is in conformity with Machinery Directive 2006/42/EC.

## 7. PROTECT YOUR INVESTMENT!

### 7.1 POP®AVDEL® BLIND RIVET TOOL WARRANTY

STANLEY Engineered Fastening warrants that all power tools have been carefully manufactured and that they will be free from defect in material and workmanship under normal use and service for a period of one (1) year. This warranty applies to the first time purchaser of the tool for original use only.

#### **Exclusions:**

##### **Normal wear and tear.**

Periodic maintenance, repair and replacement parts due to normal wear and tear are excluded from coverage.

##### **Abuse & Misuse.**

Defect or damage that results from improper operation, storage, misuse or abuse, accident or neglect, such as physical damage are excluded from coverage.

##### **Unauthorized Service or Modification.**

Defects or damages resulting from service, testing adjustment, installation, maintenance, alteration or modification in any way by anyone other than STANLEY Engineered Fastening, or its authorized service centres, are excluded from coverage.

All other warranties, whether expressed or implied, including any warranties of merchantability or fitness for purpose are hereby excluded.

Should this tool fail to meet the warranty, promptly return the tool to our factory authorized service centre location nearest you. For a list of POP®Avdel® Authorized Service Centres in the US or Canada, contact us at our toll free number (877)364 2781.

Outside the US and Canada, visit our website **[www.StanleyEngineeredFastening.com](http://www.StanleyEngineeredFastening.com)** to find your nearest STANLEY Engineered Fastening location.

STANLEY Engineered Fastening will then replace, free of charge, any part or parts found by us to be defective due to faulty material or workmanship, and return the tool prepaid. This represents our sole obligation under this warranty.

In no event shall STANLEY Engineered Fastening be liable for any consequential or special damages arising out of the purchase or use of this tool.

### 7.2 REGISTER YOUR BLIND RIVET TOOL ONLINE.

To register your warranty online, visit us at

<http://www.stanleyengineeredfastening.com/popavdel-powertools/warranty-card>.

Thank you for choosing a STANLEY Engineered Fastening's POP®Avdel® Brand tool.



© 2017 Stanley Black & Decker, Inc.  
 Todos los derechos reservados.

La información proporcionada no puede ser reproducida y/o hecha pública de ninguna manera y por ningún medio (electrónico o mecánico) sin el permiso explícito y por escrito previo de STANLEY Engineered Fastening. La información proporcionada se basa en los datos conocidos en el momento de la introducción de este producto. STANLEY Engineered Fastening sigue una política de mejora continua del producto y, por lo tanto, los productos pueden estar sujetos a cambios. La información proporcionada es aplicable al producto tal como lo entrega STANLEY Engineered Fastening. Por lo tanto, STANLEY Engineered Fastening no se responsabiliza por ningún daño que resulte de desviaciones de las especificaciones originales del producto.

La información disponible se redactó con el mayor cuidado. Sin embargo, STANLEY Engineered Fastening no aceptará ninguna responsabilidad con respecto a cualquier falta en la información ni por las consecuencias de la misma. STANLEY Engineered Fastening no aceptará ninguna responsabilidad por daños resultantes de actividades realizadas por terceros. Los nombres de trabajo, nombres comerciales, marcas registradas, etc. utilizados por STANLEY Engineered Fastening no deben considerarse como gratuitos, de conformidad con la legislación con respecto a la protección de marcas comerciales.

## CONTENIDO

<b>1. DEFINICIONES DE SEGURIDAD .....</b>	<b>2</b>
1.1 REGLAS GENERALES DE SEGURIDAD.....	2
1.2 PELIGROS DE PROYECTILES.....	3
1.3 PELIGROS DE OPERACIÓN.....	3
1.4 RIESGOS DE MOVIMIENTOS REPETITIVOS.....	4
1.5 RIESGOS DE ACCESORIOS.....	4
1.6 RIESGOS DEL LUGAR DE TRABAJO.....	4
1.7 RIESGOS DE RUIDO .....	4
1.8 RIESGOS DE VIBRACIÓN.....	4
1.9 INSTRUCCIONES ADICIONALES DE SEGURIDAD PARA HERRAMIENTAS ELECTRONEUMÁTICAS.....	5
<b>2. ESPECIFICACIONES .....</b>	<b>6</b>
2.1. ESPECIFICACIONES DE HERRAMIENTA.....	6
2.2 ESPECIFICACIONES DE COLOCACIÓN.....	7
2.3 CONTENIDO DEL PAQUETE .....	7
2.4 LISTA DE COMPONENTES PRINCIPALES.....	8
2.5 EQUIPO DE PUNTA ESTÁNDAR.....	8
<b>3. CONFIGURACIÓN DE HERRAMIENTA .....</b>	<b>9</b>
3.1 EQUIPO DE PUNTA (REF. FIG. 2).....	9
3.2 SUMINISTRO DE AIRE (Ref. fi g. 3.).....	10
3.3 PRINCIPIO DE OPERACIÓN .....	10
<b>4. PROCEDIMIENTO DE OPERACIÓN.....</b>	<b>11</b>
4.1 OPERACIÓN DE HERRAMIENTA (REF. FIG. 1, 4, 5, 6) .....	11
4.2 VACIADO DE RECOLECTOR DE MANDRIL. (REF. FIG. 1) .....	11
<b>5. SERVICIO DE HERRAMIENTA .....</b>	<b>12</b>
5.1 FRECUENCIA DE MANTENIMIENTO .....	12
5.2 EQUIPO DE PUNTA .....	12
5.3 SERVICIO DIARIO.....	12
5.4 SERVICIO SEMANAL .....	12
5.5 PROTECCIÓN DEL AMBIENTE.....	12
<b>6. DECLARACIÓN DE CONFORMIDAD-EC .....</b>	<b>13</b>
<b>7. ¡PROTEJA SU INVERSIÓN!.....</b>	<b>14</b>
7.1 GARANTÍA DE HERRAMIENTA DE REMACHE CIEGO POP®AVDEL® .....	14
7.2 REGISTRE SU HERRAMIENTA DE REMACHE CIEGO EN LÍNEA.....	14



Cualquier persona que instale u opere esta herramienta debe leer este manual de instrucciones, prestando especial atención a las siguientes reglas de seguridad.



Siempre use protección ocular resistente a impactos durante el funcionamiento de la herramienta. El grado de protección requerido debe evaluarse para cada uso.



Use protección auditiva de acuerdo con las instrucciones del empleador y conforme lo exijan las normas de seguridad y salud ocupacional.



El uso de la herramienta puede exponer las manos del operador a riesgos, incluyendo aplastamiento, impacto, cortes, abrasiones y calor. Use guantes adecuados para protegerse las manos.

## 1. DEFINICIONES DE SEGURIDAD

Las siguientes definiciones describen el nivel de severidad para cada palabra de señal. Por favor lea el manual y ponga atención a estos símbolos.



**PELIGRO:** Indica una situación de peligro inminente que, si no se evita, causará la muerte o lesiones graves.



**ADVERTENCIA:** Indica una situación potencialmente peligrosa que, si no se evita, podría causar la muerte o lesiones graves.



**PRECAUCIÓN:** Indica una situación potencialmente peligrosa que, si no se evita, puede resultar en lesiones menores o moderadas.



**PRECAUCIÓN:** Usado sin el símbolo de alerta de seguridad indica una situación potencialmente peligrosa que, si no se evita, puede resultar en daño a la propiedad.

**La operación o el mantenimiento incorrectos de este producto podrían provocar lesiones graves y daños materiales.**

**Lea y comprenda todas las advertencias e instrucciones de funcionamiento antes de usar este equipo. Al usar herramientas eléctricas, siempre se deben seguir las precauciones básicas de seguridad para reducir el riesgo de lesiones personales.**

### GUARDE TODAS LAS ADVERTENCIAS E INSTRUCCIONES PARA REFERENCIA FUTURA.

#### 1.1 REGLAS GENERALES DE SEGURIDAD

- Para riesgos múltiples, lea y comprenda las instrucciones de seguridad antes de instalar, operar, reparar, mantener, cambiar accesorios o trabajar cerca de la herramienta. De lo contrario, puede provocar lesiones corporales graves.
- Sólo operadores calificados y capacitados deben instalar, ajustar o usar la herramienta.
- NO la use fuera de la intención de diseño de colocar remaches ciegos de STANLEY Engineered Fastening.
- Use sólo partes, sujetadores y accesorios recomendados por el fabricante.
- NO modifique la herramienta. Las modificaciones pueden reducir la efectividad de las medidas de seguridad y aumentar los riesgos para el operador. Cualquier modificación a la herramienta realizada por el cliente será bajo su completa responsabilidad y anulará cualquier garantía aplicable.
- No deseche las instrucciones de seguridad; proporciónelas al operador.
- No use la herramienta si se ha dañado.
- Antes de usar, verifique la desalineación o atascamiento de las partes móviles, la ruptura de partes y cualquier otra condición que afecte la operación de la herramienta. Si está dañada, pida que reparen la herramienta antes de usarla. Retire cualquier llave de ajuste o llave inglesa antes de usar.
- Las herramientas se deberán revisar periódicamente para verificar que las clasificaciones y marcas requeridas por esta parte de ISO 11148 estén marcadas de manera legible en la herramienta. El empleador/usuario deberá ponerse en contacto con el fabricante para obtener etiquetas de marcado de reemplazo cuando sea necesario.

- La herramienta debe mantenerse en condiciones de trabajo seguras en todo momento y se debe revisar en intervalos regulares respecto a daños y funcionamiento por parte de personal capacitado. Cualquier procedimiento de desmantelamiento será realizado sólo por personal capacitado. No desmonte esta herramienta sin referencia previa a las instrucciones de mantenimiento.

### **1.2 PELIGROS DE PROYECTILES**

- Desconecte la herramienta del suministro de aire antes de realizar cualquier mantenimiento, intentar ajustar, adaptar o retirar un ensamble de punta o accesorios.
- Tenga en cuenta que la falla de la pieza de trabajo o accesorios, o incluso de la herramienta insertada en sí, puede generar proyectiles de alta velocidad.
- Siempre use protección ocular resistente a impactos durante el funcionamiento de la herramienta. El grado de protección requerido debe evaluarse para cada uso.
- Los riesgos para otras personas también deben evaluarse en este momento.
- Asegúrese que la pieza de trabajo esté fija de forma segura.
- Verifique que los medios de protección contra la expulsión del sujetador y/o el mandril estén en su lugar y sean operativos.
- NO use la herramienta sin el recolector de mandril instalado.
- Advierta contra la posible expulsión forzada de mandriles desde el frente de la herramienta.
- NO opere una herramienta que esté dirigida hacia ninguna persona(s).

### **1.3 PELIGROS DE OPERACIÓN**

- El uso de la herramienta puede exponer las manos del operador a riesgos, incluyendo aplastamiento, impacto, cortes, abrasiones y calor. Use guantes adecuados para protegerse las manos.
- Los operadores y el personal de mantenimiento deberán ser físicamente capaces de manejar el volumen, el peso y la potencia de la herramienta.
- Sostenga la herramienta correctamente; esté preparado para contrarrestar los movimientos normales o repentinos y tenga ambas manos disponibles.
- Mantenga las manijas de la herramienta secas, limpias y libres de aceite y grasa.
- Mantenga una posición equilibrada del cuerpo y una posición segura cuando opere la herramienta.
- Suelte el dispositivo de arranque y paro en caso de una interrupción del suministro de aire.
- Use sólo lubricantes recomendados por el fabricante.
- Debe evitarse el contacto con el fluido hidráulico. Para minimizar la posibilidad de irritación cutánea, se debe tener cuidado de lavar minuciosamente si se produce el contacto.
- Las hojas de datos de seguridad de materiales para todos los aceites y lubricantes hidráulicos están disponibles por solicitud en su proveedor de herramientas.
- Evite posturas inadecuadas ya que es probable que estas posiciones no permitan contrarrestar el movimiento normal o inesperado de la herramienta.
- Si la herramienta se fija a un dispositivo de suspensión, asegúrese que la fijación sea segura.
- Tenga cuidado con el riesgo de aplastamiento o pellizcarse si el equipo de punta no está instalado.
- NO opere la herramienta con la carcasa de la punta retirada.
- Se requiere un espacio libre adecuado para las manos del operador de la herramienta antes de continuar.
- Cuando transporte la herramienta de un lugar a otro, mantenga las manos alejadas del gatillo para evitar la activación accidental.
- NO abuse de la herramienta dejándola caer o utilizándola como martillo.
- Se debe tener cuidado para garantizar que los mandriles gastados no creen un peligro.
- El recolector del mandril se debe vaciar cuando esté lleno aproximadamente a la mitad.

#### **1.4 RIESGOS DE MOVIMIENTOS REPETITIVOS**

- Al usar la herramienta, el operador puede experimentar molestias en las manos, brazos, hombros, cuello u otras partes del cuerpo.
- Mientras usa la herramienta, el operador debe adoptar una postura cómoda mientras mantiene una posición segura y evita posturas incómodas o desequilibradas. El operador debe cambiar la postura durante las tareas extendidas; esto puede ayudar a evitar molestias y fatiga.
- Si el operador experimenta síntomas como molestias persistentes o recurrentes, dolor, latidos, dolor, hormigueo, entumecimiento, sensación de ardor o rigidez, estas señales de advertencia no deben ignorarse. El operador debe informar al empleador y consultar a un profesional de la salud calificado.

#### **1.5 RIESGOS DE ACCESORIOS**

- Desconecte la herramienta del suministro de aire antes de instalar o retirar el ensamble de punta o accesorio.
- Utilice sólo tamaños y tipos de accesorios y consumibles recomendados por el fabricante de la herramienta; no use otros tipos o tamaños de accesorios o consumibles.

#### **1.6 RIESGOS DEL LUGAR DE TRABAJO**

- Los resbalones, tropiezos y caídas son las principales causas de lesiones en el lugar de trabajo. Tenga en cuenta las superficies resbaladizas causadas por el uso de la herramienta y también los riesgos de tropiezos causados por la línea de aire o la manguera hidráulica.
- Continúe con cuidado en ambientes con los que no esté familiarizado. Puede haber riesgos ocultos, como electricidad u otras líneas de servicios públicos.
- La herramienta no está diseñada para usarse en atmósferas potencialmente explosivas y no está aislada contra el contacto con la energía eléctrica.
- Asegúrese que no haya cables eléctricos, tuberías de gas, etc., que puedan causar un peligro si se dañan con el uso de la herramienta.
- Vístase apropiadamente. No use ropa suelta o joyería. Mantenga su cabello, ropa y guantes lejos de las partes móviles. La ropa suelta, joyería o el cabello largo pueden quedar atrapados en las partes móviles.
- Se debe tener cuidado para garantizar que los mandriles gastados no creen un peligro.

#### **1.7 RIESGOS DE RUIDO**

- La exposición a altos niveles de ruido puede causar pérdida auditiva permanente e incapacitante y otros problemas, como tinnitus (ruido de timbre, zumbidos, silbidos o resonación en los oídos). Por lo tanto, la evaluación de riesgos y la implementación de controles apropiados para estos peligros son esenciales.
- Los controles apropiados para reducir el riesgo pueden incluir acciones tales como materiales de amortiguamiento para evitar que las piezas de trabajo "resuenen".
- Use protección auditiva de acuerdo con las instrucciones del empleador y conforme lo exijan las normas de seguridad y salud ocupacional.
- Opere y mantenga la herramienta como se recomienda en el manual de instrucciones, para evitar un aumento innecesario en el nivel de ruido.
- Asegúrese que el silenciador dentro del recolector de mandril esté en su lugar y en buenas condiciones de operación cuando se opere la herramienta.

#### **1.8 RIESGOS DE VIBRACIÓN**

- La exposición a la vibración puede causar daños incapacitantes en los nervios y el suministro de sangre de las manos y los brazos.
- Use ropa abrigada cuando trabaje en condiciones frías y mantenga sus manos calientes y secas.
- Si experimenta entumecimiento, hormigueo, dolor o blanqueamiento de la piel en sus dedos o manos, deje de usar la herramienta, informe a su empleador y consulte a un médico.
- Siempre que sea posible, soporte el peso de la herramienta en un soporte, tensor o equilibrador, ya que se puede utilizar un agarre más ligero para sostener la herramienta.

**1.9 INSTRUCCIONES ADICIONALES DE SEGURIDAD PARA HERRAMIENTAS ELECTRONEUMÁTICAS**

- El suministro neumático operativo no debe exceder los 7 bar (100 PSI).
- El aire bajo presión puede causar lesiones graves.
- Nunca deje la herramienta de operación desatendida. Desconecte la manguera de aire cuando la herramienta no esté en uso, antes de cambiar los accesorios o al realizar reparaciones.
- NO deje la abertura de escape de aire en la cara del recolector de mandril en la dirección del operador u otras personas. Nunca dirija el aire hacia usted u otras personas.
- Las mangueras que se agitan puede causar lesiones graves. Siempre verifique si hay mangueras y accesorios dañados o sueltos.
- Antes de usar, revise las mangueras de aire respecto a daños, todas las conexiones deben estar seguras. No deje caer objetos pesados sobre las mangueras. Un impacto fuerte puede causar daños internos y provocar fallas prematuras en la manguera.
- El aire frío se debe dirigir lejos de las manos.
- Siempre que se utilicen acoplamientos de torsión universales (acoplamientos de garras), se instalarán pasadores de seguridad y se utilizarán cables de seguridad de protección contra latigazos para proteger contra posibles fallas de conexión de manguera a herramienta o de manguera a manguera.
- NO levante la herramienta de colocación por la manguera. Siempre utilice la manija de la herramienta de colocación.
- No se deben bloquear o cubrir los orificios de ventilación.
- Mantenga la suciedad y materia extraña fuera del sistema hidráulico de la herramienta, ya que esto hará que la herramienta no funcione correctamente.

**La política de STANLEY Engineered Fastening es la mejora y desarrollo continuo del producto y nos reservamos el derecho de cambiar las especificaciones de cualquier producto sin previo aviso.**

## 2. ESPECIFICACIONES

ProSet® XT1 y XT2 son herramientas hidroneumáticas diseñadas para colocar remaches ciegos Stanley Engineered Fastening en alta velocidad. Las herramientas presentan un sistema de vacío para retención de remache y recolección libre de problemas de los mandriles gastados sin importar la orientación de la herramienta.

Cuando se conecta al equipo de punta correspondiente, ProSet®XT1 y XT2 se puede usar para colocar remaches ciegos en el rango de Ø 2.4mm a Ø 4.8mm. Consulte la tabla en la página 7 para obtener una lista de todos los remaches que se pueden colocar.

Las advertencias de seguridad en las páginas 2 y 3 deben seguirse en todo momento.

**NO** lo use en condiciones húmedas o en presencia de líquidos o gases inflamables.

### 2.1. ESPECIFICACIONES DE HERRAMIENTA

	XT1		XT2	
<b>Fuerza de tracción:</b> @ 5.5 bar	6.5 kN	1461 lbsf	8.9 kN	2001 lbsf
<b>Presión de suministro de aire:</b> Mín. a Máx.	5.0 - 7.0 bar	72.5 - 101.5 lbsf/pulg. <sup>2</sup>	5.0 - 7.0 bar	72.5 - 101.5 lbsf/pulg. <sup>2</sup>
<b>Presión de aceite:</b> Tracción @ 5.5 bar	160 bar	2320 lbsf/pulg. <sup>2</sup>	210 bar	3045 lbsf/pulg. <sup>2</sup>
<b>Carrera:</b> Carrera mínima de pistón	17.8 mm	0.7 pulg.	19.8 mm	0.79 pulg.
<b>Peso:</b> Incl. equipo de punta	1.23 kg	2.58 lbs	1.32 kg	2.78 lbs
<b>Peso:</b> sin equipo de punta	1.11 kg	2.36 lbs	1.17 kg	2.54 lbs
<b>Volumen de aire libre:</b> @ 5.5 bar	1.5 ltr	91.5 pulg. <sup>3</sup>	2.5 ltr	134.2 pulg. <sup>3</sup>
<b>Tiempo de ciclo:</b> Aproximado	0.4 segundos		0.6 segundos	

<b>Valores de ruido determinados de acuerdo con el código de prueba de ruido ISO 15744 e ISO 3744.</b>		XT1	XT2
Nivel de potencia de sonido ponderado A dB(A), L <sub>WA</sub>	Ruido de incertidumbre: k <sub>WA</sub> = 3.0 dB(A)	89.9 dB(A)	89.5 dB(A)
Nivel de presión de sonido de emisión ponderado A en la estación de trabajo dB(A), L <sub>PA</sub>	Ruido de incertidumbre: k <sub>PA</sub> = 3.0 dB(A)	78.9 dB(A)	78.5 dB(A)
Nivel de presión de sonido de emisión pico ponderado C dB(C), L <sub>PC</sub> , pico	Ruido de incertidumbre: k <sub>PC</sub> = 3.0 dB(C)	80.4 dB(C)	78.9 dB(A)

<b>Valores de vibración determinados de acuerdo con el código de prueba de vibración ISO 20643 e ISO 5349.</b>		XT1	XT2
Nivel de emisión de vibración, a <sub>pd</sub> :		0.84 m/s <sup>2</sup>	0.74 m/s <sup>2</sup>
Vibración de incertidumbre: k		0.42 m/s <sup>2</sup>	0.37 m/s <sup>2</sup>
Valores de emisión de vibración declarados de acuerdo con EN 12096			

## 2.2 ESPECIFICACIONES DE COLOCACIÓN

Tipo de remache	2,4 [3/32"]	3,2 [1/8"]	4,0 [5/32"]	4.3	4,8 [3/16"]	5.0	6.0	7.0
Extremo abierto	①	•	•		②			
Extremo cerrado	①	•	•		②			
HR		•	②		②			
SSD SSHR		• (1)	② (1)					
Multi-Agarre		•	•		②			
TL		•	•		②			
Pasante		•						
Remache T (Emhart)					② (1)			
Auto-Taponamiento		•	•		②			
Ultra-Grip (UG) (NPR)					②			
Avex®		•	•		②			
Stavex®		•	②		②			
Avinox®		•	②		②			
Avibulb®		•	②		②			
LSR/Bulbex®			•		②			
T-Lok®				②	②			
Avdel® SR		•	•		②			
Interlock®					②			
Monobolt®					② (1)			
Avseal® (STD)			② (1)(2)			② (1)(2)	② (1)(2)	② (1)(2)
Remache Q		②	②		②			
Klamp-Tite BAPK®					②			
Klamp-Tite BAPKTR®					② (1)			
VGrip					②			

- Es aplicable para la herramienta XT1 y XT2
- ① Sólo es aplicable para la herramienta XT1
- ② Sólo es aplicable para la herramienta XT2

- (1) Se requiere una pieza de punta no estándar
- (2) Se requiere equipo de punta no estándar.

Para una lista completa de equipo de punta compatible para cada tipo de remache, junto con las instrucciones de ensamble y mantenimiento, consulte el Manual de Equipo de Punta ProSet 07900-09412

## 2.3 CONTENIDO DEL PAQUETE

- 1 herramienta de remache ciego ProSet® XT1 o XT2.
- 1 juego de Equipo de punta estándar y piezas de punta:  
**XT1:** 2.4 [3/32"], 3.2mm [1/8"] y 4.0m [5/32"]  
**XT2:** 3.2mm [1/8"], 4.0m [5/32"] 4.8mm [3/16"]
- 1 Manual de instrucciones impreso – depende de la región.

## 2.4 LISTA DE COMPONENTES PRINCIPALES

Consulte la figura 1 y 2 y la siguiente tabla.

Elemento	Número de parte	Descripción	Cant
1	TRM00360	Herramienta de equipo de punta estándar XT1	1
	TRM00361	Herramienta de equipo de punta estándar XT2	
2	TP144-171	Gancho de suspensión	1
3	TRM00227	Recolector de mandril	1
4	07001-00405	Tapón de aceite	1
5	07003-00194	Sello	1
6	76003-02008	Gatillo	1
7	TRM00221	Válvula de abertura/cierre	1

## 2.5 EQUIPO DE PUNTA ESTÁNDAR

Consulte la figura 2 y la siguiente tabla.

Elemento	Número de parte de herramienta XT1	Número de parte de herramienta XT2	Descripción	Cant
1a	PRN314	-	Pieza de punta - 2.4mm [3/32"]	1
	-	PRN614	Pieza de punta - 4.8 mm [3/16"] (instalado en XT2)	
1b	PRN414	PRN414	Pieza de punta - 3.2 mm [1/8"] (instalado en XT1)	1
1c	PRN514	PRN514	Pieza de punta - 4.0 mm [5/32"]	1
1d	TP144-111	TP144-048	Alojamiento de punta	1
1e	TP144-091	TP144-091	Anillo O	1
1f	DPN239-006	DPN275-001	Guía de mordaza	1
1g	PRG402-8A	71210-15001	Mordazas	1 Juego
1h	TP144-117	TP144-050	Empuje de mordaza	1
1i	TP144-118	TP144-088	Arandela de uretano	1
1j	TP144-119	TP144-081	Resorte de empuje de mordaza	1
1k	TP144-120	TP144-052	Guía de mandril	1
1l	TRM00167	TRM00165	Cabeza de extracción	1
1m	TP144-113	TP144-051	Bloqueo de guía de mordaza	1
1n	TP144-114	TP144-080	Resorte de bloqueo de guía de mordaza	1
1o	DPN900-004	DPN900-002	Anillo O	1
1p	TRM00238	TRM00239	Tuerca de alojamiento de punta	1

Para equipo de punta adicional, consulte el Manual de Equipo de punta ProSet® 07900-09412 o visite [www.stanleyengineeredfastening.com/resource-center/document-library](http://www.stanleyengineeredfastening.com/resource-center/document-library)

Para una lista completa de accesorios de herramienta, consulte el Manual de accesorios ProSet 07900-09413.



### 3. CONFIGURACIÓN DE HERRAMIENTA

**IMPORTANTE - LEA LAS ADVERTENCIAS DE SEGURIDAD EN LAS PÁGINAS 2 Y 3 CUIDADOSAMENTE ANTES DE PONER EN SERVICIO.**

**IMPORTANTE - EL SUMINISTRO DE AIRE SE DEBE APAGAR O DESCONECTAR ANTES DE COLOCAR O RETIRAR EL ENSAMBLE DE PUNTA.**

#### 3.1 EQUIPO DE PUNTA (REF. FIG. 2)

Los números de partida en negritas se refieren a los componentes en las figuras 1 y 2 y las tablas en la página 8. La herramienta XT1 se suministrará pre-ensamblada con la pieza de punta para remaches de 3.2 mm [1/8"] y piezas de punta para remaches de 2.4 [3/32"] y 4.0mm [5/32] se suministran por separado. La herramienta XT2 se suministrará pre-ensamblada con la pieza de punta para remaches de 4.8 mm [3/16"] y piezas de punta para remaches de 3.2 [1/8"] y 4.0 [5/32"] se suministran por separado.

#### Montaje de la pieza de punta

- El suministro de aire debe estar desconectado.
- Seleccione la pieza de punta correcta para el remache que se instalará.
- Retire la tuerca del alojamiento de punta (**1p**) y el alojamiento de punta (**1d**), incluyendo la pieza de punta (**1a, b o c**), y el anillo O (**1e**) de la herramienta.
- Retire la pieza de punta (**1a, b, o c**) de la carcasa de la punta (**1d**)
- Seleccione la pieza de punta del tamaño correspondiente y ensamble en orden inverso.

#### Desinstalación de equipo de punta completo.

- El suministro de aire debe estar desconectado.
- Retire la tuerca del alojamiento de punta (**1p**) y el alojamiento de punta (**1d**), incluyendo la pieza de punta (**1a, b o c**), y el anillo O (**1e**) de la herramienta.
- Jale hacia atrás el bloqueo de guía de mordaza (**1m**) contra el resorte (**1n**) y después retire la guía de mordaza (**1f**).
- Retire las mordazas (**1g**) de la guía de mordaza (**1f**).
- Retire el empuje de mordaza (**1h**), la arandela de uretano (**1i**), y el resorte de empuje de mordaza (**1j**), de la cabeza de extracción (**1l**).

#### Montaje del equipo de punta completo

- El suministro de aire debe estar desconectado
- Se debe reemplazar cualquier parte desgastada o dañada.
- Limpie y verifique el desgaste en las mordazas (**1g**).
- Asegúrese que el empuje de mordaza (**1h**) o el resorte de empuje de mordaza (**1j**) no estén distorsionados.
- Recubra ligeramente las mordazas (**1g**) con grasa de litio de molibdeno.
- Deje caer las mordazas (**1g**) dentro de la guía de mordaza (**1f**).
- Inserte un empuje de mordaza (**1h**) y la arandela de uretano (**1i**) en la cabeza de extracción (**1l**).
- Jale hacia atrás el bloqueo de guía de mordaza (**1m**) y atornille la guía de mordaza (**1f**) completamente sobre la cabeza de extracción (**1l**).
- Libere el bloqueo de guía de mordaza (**1m**) y después desatornille parcialmente la guía de mordaza (**1f**) hasta que el diente del bloqueo de guía de mordaza (**1m**) haga clic en la siguiente ranura en la guía de mordaza (**1f**).
- Coloque la carcasa de punta (**1d**) sobre la guía de mordaza (**1f**) y apriete completamente sobre la herramienta.

Se debe dar servicio a los ensambles de punta en intervalos semanales. Debe conservar existencias de todos los componentes internos del ensamble de punta y puntas conforme se necesiten para reemplazo regular.

### **3.2 SUMINISTRO DE AIRE** (Ref. fi g. 3.)

#### Componentes

- A. Grifo de paro (usado durante mantenimiento de filtro/unidades regulares o lubricadas)
  - B. Regulador de presión y filtro (drenaje diario)
  - C. Punto de drenaje de suministro principal
  - D. Punto de toma desde suministro principal
- Todas las herramientas se operan con aire comprimido en una presión mínima de 5.0 bar.
  - Los reguladores de presión y sistemas de aceitado/filtrado automático se deben usar en el suministro de aire principal dentro de 3 metros de la herramienta (vea la fig. 3).
  - Las mangueras de suministro de aire tendrán una presión efectiva de operación mínima de 150% de la presión máxima producida en el sistema o 10 bar, la que resulte mayor.
  - Las manguera de aire deben ser resistentes a aceite, tener un exterior resistente a la abrasión y estar blindados donde las condiciones de operación puedan resultar en que se dañen las mangueras.
  - Todas las mangueras de aire DEBEN tener un diámetro de orificio mínimo de 6.4 milímetros.
  - Revise respecto a fugas de aire. Si están dañados, las mangueras y acoplamientos se deben reemplazar por elementos nuevos.
  - Si no hay filtro en el regulador de presión, purgue la línea de aire para liberarla de suciedad acumulada o agua antes de conectar la manguera de aire a la herramienta.

### **3.3 PRINCIPIO DE OPERACIÓN**

**PRECAUCIÓN – LA PRESIÓN DE SUMINISTRO CORRECTA ES IMPORTANTE PARA EL CORRECTO FUNCIONAMIENTO DE LA HERRAMIENTA DE INSTALACIÓN. SE PUEDEN PRODUCIR LESIONES PERSONALES O DAÑOS AL EQUIPO SIN LAS PRESIONES CORRECTAS. LA PRESIÓN DE SUMINISTRO NO DEBE EXCEDER LA INDICADA EN LA ESPECIFICACIONES DE LA HERRAMIENTA DE COLOCACIÓN**

Los números de partida en negritas se refieren a los componentes en las figuras 1 y 2 y las tablas en la página 8.

Cuando se conecte la manguera neumática a la herramienta de colocación, los ciclos de extracción y retorno de la herramienta son controlados al presionar y liberar el gatillo (**6**) ubicado en la manija.

- El suministro de aire debe estar desconectado.
- Conecte el equipo de punta apropiado como se describe en la página 7.
- Conecte la manguera neumática a la válvula de abertura/cierre (**7**).
- Conecte el suministro de aire de la red de la manguera neumática.
- Abra el suministro de la red a la herramienta deslizando la válvula de abertura/cierre de aire (**7**) en la posición superior.
- El aire ahora se suministra a la herramienta y el sistema de vacío está en operación.
- Jale y libere el gatillo (**6**) unas cuantas veces a la carrera completa de la herramienta para revisar la operación. Observe la acción de la herramienta. Revise respecto a fugas de fluido y/o aire.

---

## 4. PROCEDIMIENTO DE OPERACIÓN

### 4.1 OPERACIÓN DE HERRAMIENTA (REF. FIG. 1, 4, 5, 6)

#### Instalación de remache ciego

- Asegúrese que el recolector de mandril (3) esté instalado.
- Inserte el mandril de remache en la pieza de punta (1a, b o c). El sistema de vacío retendrá el remache en la pieza de punta.
- Coloque la herramienta.
- Asegúrese que el equipo de punta esté en ángulo recto (90°) con la pieza de trabajo.
- Jale y sostenga el gatillo (6) hasta que el remache esté completamente colocado en la aplicación.
- Cuando el remache se haya colocado completamente, libere el gatillo (6). La herramienta regresará a su posición inicial automáticamente. El mandril cae automáticamente en el recolector de mandril (3) por el sistema de vacío.
- El recolector de mandril se debe vaciar antes que se llene a la mitad.

**PRECAUCIÓN—NO FUERCE LA INSERCIÓN DE UN MANDRIL DE REMACHE O EL CUERPO DEL REMACHE. ESTO CAUSARÁ DAÑO A LA HERRAMIENTA Y/O APLICACIÓN.**

### 4.2 VACIADO DE RECOLECTOR DE MANDRIL. (REF. FIG. 1)

#### PRECAUCIÓN - NO USE LA HERRAMIENTA CUANDO EL RECOLECTOR DE MANDRIL ESTÉ RETIRADO

- La herramienta está equipada con un recolector de mandril de conexión/liberación rápida (3).
- Una rotación de 60° retira o vuelve a colocar el recolector de mandril.
- Retirar el recolector de mandril (3) de la herramienta apaga automáticamente la retención de remache de vacío y el sistema de extracción de mandril.
- Volver a colocar el recolector de mandril enciende el sistema de vacío.

## 5. SERVICIO DE HERRAMIENTA

### 5.1 FRECUENCIA DE MANTENIMIENTO

El servicio regular debe ser realizado por personal capacitado y realizarse una inspección comprehensiva anualmente o cada 500,000 ciclos, lo que suceda primero.



DESCONECTE EL SUMINISTRO DE AIRE



**PRECAUCIÓN**– *Nunca use solventes u otros productos químicos fuertes para limpiar las partes no metálicas de la herramienta.*

*Estos productos químicos pueden debilitar los materiales utilizados en estas partes.*

### 5.2 EQUIPO DE PUNTA

Se debe dar servicio a los ensambles de punta en intervalos semanales o cada 5,000 ciclos. Conserve existencias de todos los componentes internos del ensamble de punta y piezas de puntas conforme se necesiten para reemplazo regular.

- Desconecte el suministro de aire
- Retire el ensamble de punta completo con el procedimiento descrito en la sección 3.1.
- Revise todos los componentes. Se debe reemplazar cualquier parte desgastada o dañada por una nueva.
- Revise particularmente el desgaste en las mordazas (**1g**).
- Limpie todas las partes y aplique grasa de litio de molibdeno (07992-00020) a las mordazas (**1g**) y limpie el orificio de la guía de mordaza (**1f**).
- Ensamble de acuerdo con las instrucciones de colocación en la sección 3.2.

### 5.3 SERVICIO DIARIO

- Antes del uso, revise la herramienta, la manguera y los acoplamientos respecto a fugas de aire o aceite. Si está dañada, retire la herramienta de servicio y reemplace los elementos afectados por partes nuevas.
- Si no hay filtro en el regulador de presión, purgue la línea de aire para liberarla de suciedad acumulada o agua antes de conectar la manguera de aire a la herramienta. Si hay un filtro, drénelo.
- Revise que el equipo de punta (**1**) sea correcto para el remache que se va a colocar y que esté instalado adecuadamente.
- Verifique que la carrera de la herramienta cumpla con las especificaciones mínimas (ref. 2.1).
- El recolector de mandril (**3**) debe estar equipado en la herramienta.
- Revise que la cámara de aire esté completamente apretada sobre el cuerpo de la herramienta.

### 5.4 SERVICIO SEMANAL

- Revise la herramienta, la manguera y los acoplamientos respecto a fugas de aire y aceite. Si está dañada, retire la herramienta de servicio y reemplace los elementos afectados por partes nuevas.

Para servicio completo, solución de problemas e instrucciones de mantenimiento, por favor consulte el Manual de servicio No. 07900-09408 para XT1 y 07900-09409 para XT2.

Respecto a los Datos de Seguridad relacionados con la grasa y aceite usados en esta herramienta, por favor consulte el Manual de Servicio No. 07900-09408 para XT1 y 07900-09409 para XT2.

### 5.5 PROTECCIÓN DEL AMBIENTE

Asegure la conformidad con las regulaciones de eliminación aplicables. Deseche todos los productos de desecho en una instalación o sitio de desechos aprobado para no exponer al personal y al medio ambiente a riesgos.

## 6. DECLARACIÓN DE CONFORMIDAD-EC

### Original

**Nosotros, NIPPON POP Rivets, Noyori-cho aza hosoda, Toyohashi, Aichi, 441-8540 Japón**, declaramos que nuestra exclusiva responsabilidad que el producto:

<b>Descripción</b>	Herramientas Hidroneumáticas ProSet® XT1 y XT2 para Remaches Ciegos
<b>Marca/Modelo</b>	POP-Avdel® / 76001 y POP-Avdel® / 76002
<b>No. de serie</b>	

con el que se relaciona esta declaración cumple con la siguiente norma:

ISO 12100:2010	EN ISO 28927-5:2009/A1:2015
EN ISO 11202:2010	EN ISO 3744:2010
EN ISO 4413:2010	EN ISO 11148-1:2011
EN ISO 4414:2010	BS EN 28662-1:1993
	EN ISO 20643:2008+A1:2012

La documentación técnica se compila de acuerdo con el anexo 1, sección 1.7.4.1, de acuerdo con la siguiente Directiva:

### 2006/42/EC Directiva de Maquinaria

Instrumentos Estatuarios del Reino Unido 2008 No 1597 - Referido al Suministro de regulaciones de maquinaria (Seguridad).

### Nobuharu Naito

#### Gerente Senior – Ingeniería de Investigación y Desarrollo

Nippon POP Rivets, Noyori-cho aza hosoda Toyohashi  
Aichi, 441-8540 Japón

Firma



Lugar de emisión

Japón

Fecha de emisión

01.03.2017

### Representante Autorizado:

**A.K. Seewraj**

#### Gerente de Tecnología – EU Blind Fastening

Avdel UK Limited; Stanley House, Works Road, Letchworth Garden City,  
Hertfordshire, SG6 1JY REINO UNIDO



Esta maquinaria cumple con la Directiva de Maquinaria 2006/42/EC.

## 7. ¡PROTEJA SU INVERSIÓN!

### **7.1 GARANTÍA DE HERRAMIENTA DE REMACHE CIEGO POP®AVDEL®**

STANLEY Engineered Fastening garantiza que todas las herramientas eléctricas se han fabricado cuidadosamente y que estarán libres de defectos de material y mano de obra en condiciones normales de uso y servicio por un período de un (1) año.

Esta garantía se aplica al comprador por primera vez de la herramienta sólo para uso original.

#### **Exclusiones:**

##### **Uso y desgaste normal.**

El mantenimiento periódico, la reparación y las partes de repuesto debido al desgaste normal se excluyen de la cobertura.

##### **Abuso y mal uso.**

Los defectos o daños que resultan de una operación, almacenamiento inadecuados, mal uso o abuso, accidente o negligencia, como daños físicos, están excluidos de la cobertura.

##### **Servicio o modificación no autorizados.**

Los defectos o daños resultantes del servicio, ajuste de prueba, instalación, mantenimiento, alteración o modificación de cualquier manera por parte de cualquier persona que no sea STANLEY Engineered Fastening, o sus centros de servicio autorizados, están excluidos de la cobertura.

Se excluyen todas las demás garantías, ya sean expresas o implícitas, incluidas las garantías de comerciabilidad o idoneidad para un propósito.

Si esta herramienta no cumple con la garantía, devuélvala de inmediato a nuestro centro de servicio autorizado de fábrica más cercano. Para una lista de Centros de Servicio Autorizados POP®Avdel® en los EUA o Canadá, póngase en contacto con nosotros en nuestro número de larga distancia gratuita (877)364 2781.

Fuera de los EUA y Canadá, visite nuestro sitio web **www.StanleyEngineeredFastening.com** para encontrar la ubicación de sujeción de STANLEY Engineered Fastening más cercana.

STANLEY Engineered Fastening entonces reemplazará, sin cargo, cualquier parte o partes que consideremos defectuosas debido a un material o mano de obra defectuosos, y devolverá la herramienta con envío prepagado. Esto representa nuestra única obligación bajo esta garantía.

En ningún caso, STANLEY Engineered Fastening será responsable de ningún daño consecuente o especial que surja de la compra o uso de esta herramienta.

### **7.2 REGISTRE SU HERRAMIENTA DE REMACHE CIEGO EN LÍNEA.**

Para registrar su garantía en línea, visítenos en

<http://www.stanleyengineeredfastening.com/popavdel-powertools/warranty-card>.

Gracias por elegir una Herramienta marca STANLEY Engineered Fastening's POP®Avdel®.

© 2017 Stanley Black & Decker, Inc.

Tous droits réservés.

Les renseignements fournis ne peuvent pas être reproduits et/ou rendus publics d'aucune façon et pas aucun moyen (électroniquement ou mécaniquement) sans autorisation écrite et explicite préalable de STANLEY Engineered Fastening. Les renseignements fournis sont basés sur des données connues au moment de l'introduction de ce produit. STANLEY Engineered Fastening applique une politique d'amélioration en permanence des produits et par conséquent, les produits peuvent être modifiés. Les renseignements fournis sont applicables au produit tels que présentés par STANLEY Engineered Fastening. Par conséquent, STANLEY Engineered Fastening ne peut pas être tenu responsable des dommages résultant de différences par rapport aux caractéristiques initiales du produit.

Les renseignements disponibles ont été rédigés avec la plus grande attention. Cependant, STANLEY Engineered Fastening n'acceptera aucune responsabilité quant au respect de toute erreur dans ces renseignements ni les conséquences qui en découleraient. STANLEY Engineered Fastening n'acceptera aucune responsabilité quant aux dommages résultant d'activités effectuées par des tiers. Les noms de travail, les noms commerciaux, les marques déposées, etc. utilisés par STANLEY Engineered Fastening ne doivent pas être considérés comme étant libres, en vertu de la loi relative à la protection des marques de commerce.

## TABLE DES MATIÈRES

<b>1. DÉFINITIONS LIÉES À SÉCURITÉ.....</b>	<b>2</b>
1.1 RÈGLES GÉNÉRALES DE SÉCURITÉ .....	2
1.2 RISQUES LIÉS AUX PROJECTILES .....	3
1.3 RISQUES LIÉS À L'UTILISATION .....	3
1.4 RISQUES LIÉS AUX MOUVEMENTS RÉPÉTITIFS .....	4
1.5 RISQUES LIÉS AUX ACCESSOIRES .....	4
1.6 RISQUES EN MILIEU DE TRAVAIL.....	4
1.7 RISQUES LIÉS AU BRUIT .....	4
1.8 RISQUES LIÉS À LA VIBRATION .....	5
1.9 CONSIGNES DE SÉCURITÉ SUPPLÉMENTAIRES POUR LES OUTILS ÉLECTRIQUES PNEUMATIQUES.....	5
<b>2. CARACTÉRISTIQUES.....</b>	<b>6</b>
2.1. CARACTÉRISTIQUES DE L'OUTIL .....	6
2.2 CARACTÉRISTIQUES DE MISE EN PLACE.....	7
2.3 CONTENU DE L'EMBALLAGE .....	7
2.4 LISTE DES COMPOSANTES PRINCIPALES.....	8
2.5 ÉQUIPEMENT DE L'EMBOUT STANDARD .....	8
<b>3. CONFIGURATION DE L'OUTIL .....</b>	<b>9</b>
3.1 ÉQUIPEMENT DE L'EMBOUT (Réf. fig. 2) .....	9
3.2 ALIMENTATION DE L'AIR (Réf. fig. 3.).....	10
3.3 PRINCIPE DE FONCTIONNEMENT.....	10
<b>4. MODE DE FONCTIONNEMENT.....</b>	<b>11</b>
4.1 FONCTIONNEMENT DE L'OUTIL (Réf. fig. 1, 4, 5, 6).....	11
4.2 VIDER LE COLLECTEUR DU MANDRIN. (Réf. fig. 1) .....	11
<b>5. ENTRETIEN DE L'OUTIL .....</b>	<b>12</b>
5.1 FRÉQUENCE DE L'ENTRETIEN.....	12
5.2 ÉQUIPEMENT DE L'EMBOUT .....	12
5.3 ENTRETIEN QUOTIDIEN.....	12
5.4 ENTRETIEN HEBDOMADAIRE.....	12
5.5 PROTÉGER L'ENVIRONNEMENT .....	12
<b>6. CE - DÉCLARATION DE CONFORMITÉ.....</b>	<b>13</b>
<b>7. PROTÉGEZ VOTRE INVESTISSEMENT!.....</b>	<b>14</b>
7.1 GARANTIE DE L'OUTIL DE RIVETAGE AVEUGLE POP®AVDEL® .....	14
7.2 ENREGISTREZ VOTRE OUTIL DE RIVETAGE AVEUGLE EN LIGNE.....	14



Ce guide d'utilisation doit être lu par toute personne qui installe ou utilise cet outil avec une attention particulière aux règles de sécurité suivantes.



Portez toujours une protection oculaire résistant aux impacts durant l'utilisation de l'outil. Le niveau de protection requis doit être évalué pour chaque utilisation.



Utilisez une protection auditive conforme aux instructions de l'employeur et tel que requis par les réglementations liées à la santé et la sécurité au travail.



L'utilisation de l'outil peut exposer les mains de l'utilisateur aux risques, incluant l'écrasement, les impacts, les coupes, les éraflures et la chaleur. Portez des gants appropriés pour protéger vos mains.

## 1. DÉFINITIONS LIÉES À SÉCURITÉ

Les définitions suivantes décrivent le niveau de sévérité pour chaque mot-indicateur. Veuillez lire le guide et porter attention à ces symboles.



**DANGER** : Indique une situation dangereuse imminente qui, si elle ne peut être évitée, entraînera la mort ou des blessures graves.



**AVERTISSEMENT** : Indique une situation potentiellement dangereuse qui, si elle n'est pas évitée, pourrait entraîner la mort ou une blessure grave.



**ATTENTION** : Indique une situation potentiellement dangereuse qui, si elle n'est pas évitée, peut entraîner une blessure légère ou modérée.



**ATTENTION** : Utilisé sans le symbole d'alerte de sécurité indique une situation potentiellement dangereuse qui, si elle n'est pas évitée, peut entraîner des dommages matériels.

**Une utilisation ou un entretien inappropriés de ce produit pourrait entraîner une blessure grave ou des dommages matériels.**

**Lisez et comprenez tous les avertissements et toutes les instructions d'utilisation avant d'utiliser cet équipement. Lorsque vous utilisez des outils électriques, des consignes de sécurité de base doivent être suivies afin de réduire le risque de blessures corporelles.**

**CONSERVEZ TOUS LES AVERTISSEMENTS ET TOUTES LES INSTRUCTIONS POUR RÉFÉRENCE ULTÉRIEURE.**

### 1.1 RÈGLES GÉNÉRALES DE SÉCURITÉ

- Pour les risques multiples, lisez et comprenez les consignes de sécurité avant d'installer, d'utiliser, de réparer, d'entretenir, de changer les accessoires ou de travailler près de l'outil. Ne pas le faire peut entraîner une blessure corporelle grave.
- Seulement les utilisateurs formés et qualifiés doivent installer, ajuster ou utiliser l'outil.
- NE PAS utiliser dans un autre but que la mise en place des rivets aveugles de STANLEY Engineered Fastening.
- Utilisez seulement des pièces, des fixations et des accessoires recommandés par le fabricant.
- NE PAS modifier l'outil. Les modifications peuvent réduire l'efficacité des mesures de sécurité et augmenter les risques pour l'utilisateur. Toute modification de l'outil entreprise par le client sera l'entière responsabilité du client et annulera toute garantie applicable.
- Ne pas jeter les consignes de sécurité; donnez-les à l'utilisateur.
- Ne pas utiliser l'outil s'il a été endommagé.
- Avant d'utiliser, vérifiez si les pièces en mouvement sont mal alignées ou fixes, s'il y a des bris des pièces et tout autre état qui affecte l'utilisation de l'outil. S'il est endommagé, faites réparer l'outil avant de l'utiliser. Retirez toute clé de réglage avant de l'utiliser.
- Les outils doivent être inspectés régulièrement afin de vérifier les caractéristiques nominales et les inscriptions requises par cette partie de la norme ISO 11148 sont indiquées lisiblement sur l'outil.



L'employeur/utilisateur doit contacter le fabricant pour obtenir des étiquettes de remplacement au besoin.

- L'outil doit être maintenu dans un état de fonctionnement sécuritaire en tout temps, vérifié régulièrement pour des dommages et utilisé par du personnel qualifié. Toute procédure de démontage sera entreprise seulement par du personnel qualifié. Ne pas démonter cet outil sans référence préalable aux instructions d'entretien.

### **1.2 RISQUES LIÉS AUX PROJECTILES**

- Déconnectez l'alimentation de l'air de l'outil avant d'effectuer tout entretien, tenter d'ajuster, installer ou retirer un assemblage d'embout ou des accessoires.
- Sachez que la défaillance de la pièce de travail ou des accessoires ou même l'outil inséré lui-même peut générer des projectiles à haute vitesse.
- Portez toujours une protection oculaire résistant aux impacts durant l'utilisation de l'outil. Le niveau de protection requis doit être évalué pour chaque utilisation.
- Les risques pour autrui doivent aussi être évalués à ce moment.
- Assurez-vous que la pièce de travail est fixée solidement.
- Assurez-vous que le moyen de protection contre l'éjection de la fixation et/ou du mandrin est en place et fonctionnelle.
- NE PAS utiliser l'outil sans le collecteur du mandrin installé.
- Prémunissez-vous contre l'éjection puissante possible des mandrins à l'avant de l'outil.
- NE PAS utiliser un outil qui est dirigé vers toute personne.

### **1.3 RISQUES LIÉS À L'UTILISATION**

- L'utilisation de l'outil peut exposer les mains de l'utilisateur aux risques, incluant l'écrasement, les impacts, les coupes, les éraflures et la chaleur. Portez des gants appropriés pour protéger vos mains.
- Les utilisateurs et le personnel d'entretien doivent être physiquement en mesure de manipuler le volume, le poids et la puissance de l'outil.
- Tenez l'outil correctement; soyez prêt à contrer les mouvements normaux ou brusques et ayez les deux mains disponibles.
- Gardez l'outil sec, propre et exempt d'huile et de graisse.
- Maintenez une position corporelle équilibrée et un aplomb solide lorsque vous utilisez l'outil.
- Relâchez le dispositif de démarrage et d'arrêt en cas d'interruption de l'alimentation de l'air.
- Utilisez seulement les lubrifiants recommandés par le fabricant.
- Le contact avec le liquide hydraulique doit être évité. Afin de minimiser la possibilité d'éruptions cutanées, des précautions doivent être prises pour laver en profondeur si un contact se produit.
- Les fiches signalétiques pour toutes les huiles hydrauliques et tous les lubrifiants sont disponibles sur demande chez votre fournisseur d'outils.
- Évitez des postures inappropriées, car il est probable que ces postures ne permettent pas de contrer les mouvements normaux ou inattendus de l'outil.
- Si l'outil est fixé à un dispositif de suspension, assurez-vous que la fixation est sécuritaire.
- Attention aux risques d'écrasement ou de pincement si l'équipement de l'embout n'est pas installé.
- NE PAS utiliser l'outil avec le boîtier de l'embout retiré.
- Un espace approprié est requis pour les mains de l'utilisateur avant de procéder.
- Lorsque vous transportez l'outil d'un endroit à l'autre, gardez vos mains loin de la gâchette afin d'éviter une activation par inadvertance.
- NE PAS abuser de l'outil en l'échappant ou en l'utilisant comme un marteau.
- Des précautions doivent être prises pour assurer que les mandrins usés ne constituent pas un danger.
- Le collecteur du mandrin doit être vidé lorsqu'il est environ à moitié plein.

#### **1.4 RISQUES LIÉS AUX MOUVEMENTS RÉPÉTITIFS**

- Lors de l'utilisation de l'outil, l'utilisateur peut ressentir un inconfort dans les mains, les bras, les épaules, le cou ou d'autres parties du corps.
- Pendant qu'il utilise l'outil, l'utilisateur doit adopter une posture confortable tout en maintenant un aplomb sécuritaire et en évitant des postures inconfortables ou déséquilibrées. L'utilisateur doit modifier sa posture durant les tâches prolongées; cela peut aider à éviter l'inconfort et la fatigue.
- Si l'utilisateur ressent des symptômes comme un inconfort persistant ou récurrent, de la douleur, des sensations de pulsations, de crampes, de picotements, d'engourdissements, de brûlures ou de raideur, ces avertissements ne doivent pas être ignorés. L'utilisateur doit le dire à l'employeur et consultez un professionnel de la santé.

#### **1.5 RISQUES LIÉS AUX ACCESSOIRES**

- Déconnectez l'outil de l'alimentation de l'air avant d'ajuster ou de retirer l'assemblage de l'embout ou l'accessoire.
- Utilisez seulement les tailles et les types d'accessoires ou de produits consommables qui sont recommandés par le fabricant de l'outil; ne pas utiliser d'autres tailles ou types d'accessoires ou des produits consommables.

#### **1.6 RISQUES EN MILIEU DE TRAVAIL**

- Les glissements, trébucher et les chutes sont des causes majeures des blessures en milieu de travail. Tenez compte des surfaces glissantes causées par l'utilisation de l'outil et les risques de trébucher causés par les conduites d'air ou le tuyau hydraulique.
- Soyez prudent dans les environnements inconnus. Il peut y avoir des dangers cachés comme l'électricité ou d'autres câbles de services publics.
- L'outil n'est pas conçu pour une utilisation en atmosphères potentiellement explosives et il n'est pas isolé contre le contact avec l'électricité.
- Assurez-vous qu'il n'y a aucun câble électrique, tuyau de gaz, etc. qui peut causer un danger s'il est endommagé par l'utilisation de l'outil.
- Habillez-vous convenablement. Ne pas porter de vêtements amples ou des bijoux. Gardez vos cheveux, vos vêtements et vos gants hors de portée des pièces en mouvement. Les vêtements amples, les bijoux ou les cheveux longs peuvent se coincer dans les pièces en mouvement.
- Des précautions doivent être prises pour assurer que les mandrins usés ne constituent pas un danger.

#### **1.7 RISQUES LIÉS AU BRUIT**

- L'exposition à des niveaux élevés du bruit peut causer une perte de l'ouïe invalidante permanente et d'autres problèmes comme l'acouphène (tintements, bourdonnements, sifflements ou vrombissements dans les oreilles). Ainsi, l'évaluation des risques et la mise en œuvre des contrôles appropriés pour ces risques sont essentielles.
- Les contrôles appropriés pour réduire les risques peuvent comprendre des mesures comme des matériaux insonorisant afin d'empêcher le « tintement » des pièces de travail.
- Utilisez une protection auditive conforme aux instructions de l'employeur et tel que requis par les réglementations liées à la santé et la sécurité au travail.
- Utilisez et maintenez l'outil conformément aux recommandations du guide d'utilisation afin de prévenir une augmentation non nécessaire du niveau du bruit.
- Assurez-vous que le silencieux dans le collecteur du mandrin est en place et en bon état de fonctionnement lorsque l'outil est utilisé.

### **1.8 RISQUES LIÉS À LA VIBRATION**

- L'exposition à la vibration peut causer des dommages invalidants aux nerfs et à l'apport sanguin aux mains et aux bras.
- Portez des vêtements chauds lorsque vous travaillez dans le froid et gardez vos mains propres et sèches.
- Si vous ressentez des engourdissements, des picotements, de la douleur ou un blanchiment de la peau des doigts ou des mains, cessez d'utiliser l'outil, avisez votre employeur et consultez un médecin.
- Lorsque c'est possible, soutenez le poids de l'outil sur un support, un tensionneur ou un dispositif d'équilibre parce qu'une prise plus légère peut alors être utilisée pour soutenir l'outil.

### **1.9 CONSIGNES DE SÉCURITÉ SUPPLÉMENTAIRES POUR LES OUTILS ÉLECTRIQUES PNEUMATIQUES**

- L'alimentation de l'air opérationnelle ne doit pas excéder 7 bars (100 PSI).
- L'air sous pression peut causer une blessure grave.
- Ne jamais laisser l'outil fonctionner sans surveillance. Déconnectez le tuyau d'air lorsque l'outil n'est pas utilisé, avant de changer les accessoires ou lors de réparations.
- NE PAS laisser l'ouverture de l'évacuation de l'air sur le collecteur du mandrin orientée en direction de l'utilisateur ou d'autres personnes. Ne jamais diriger l'air vers vous-même ou toute autre personne.
- Frapper les tuyaux peut causer une blessure grave. Vérifiez toujours s'il y a des tuyaux et des raccords endommagés ou desserrés.
- Avant l'utilisation, inspectez les conduites d'air pour voir s'il y a des dommages, toutes les connexions doivent être sécuritaires. Ne pas échapper des objets lourds sur les tuyaux. Un impact considérable peut causer des dommages internes et entraîner une défaillance prématurée des tuyaux.
- L'air froid doit être dirigé loin des mains.
- Lorsque des raccords tournants universels (raccords à griffes) sont utilisés, les goupilles de sécurité doivent être installées et les câbles de sécurité pour tuyaux doivent être utilisés contre une possible défaillance d'une connexion tuyau à outil ou tuyau à tuyau.
- NE PAS lever l'outil de mise en place par le tuyau. Utilisez toujours la poignée de l'outil de mise en place.
- Les trous d'aération peuvent s'obstruer et être couverts.
- Gardez la saleté et les corps étrangers hors du système hydraulique de l'outil puisque cela causera un mauvais fonctionnement de l'outil.

**La politique STANLEY Engineered Fastening est une politique de développement et d'amélioration en permanence et nous nous réservons le droit de modifier les caractéristiques de tout produit sans préavis.**

## 2. CARACTÉRISTIQUES

XT1 et XT2 de ProSet® sont des outils hydropneumatiques conçus pour placer les rivets aveugles de STANLEY Engineered Fastening à haute vitesse. Les outils ont un système d'aspiration pour la retenue de rivets et la collecte sans problème de mandrins usés peu importe l'orientation des outils.

Lorsqu'ils sont combinés à l'équipement de l'embout approprié, XT1 et XT2 de ProSet® peuvent être utilisés pour placer des rivets aveugles de Ø 2,4 mm à Ø 4,8 mm. Consultez le tableau à la page 7 pour une liste de tous les rivets pouvant être placés.

Les avertissements de sécurité des pages 2 et 3 doivent être suivis en tout temps.

**NE PAS** utiliser en conditions mouillées ou en présence de liquides ou de gaz inflammables.

### 2.1. CARACTÉRISTIQUES DE L'OUTIL

	XT1		XT2	
<b>Force de traction</b> : @ 5,5 bars	6,5 kN	1 461 lbf	8,9 kN	2 001 lbf
<b>Pression d'alimentation de l'air</b> : Min. à max.	5,0 à 7,0 bars	72,5 à 101,5 lbf/po <sup>2</sup>	5,0 à 7,0 bars	72,5 à 101,5 lbf/po <sup>2</sup>
<b>Pression d'huile</b> : Traction @ 5,5 bars	160 bars	2320 lbf/po <sup>2</sup>	210 bars	3045 lbf/po <sup>2</sup>
<b>Course</b> : Course de piston minimum	17,8 mm	0,7 po	19,8 mm	0,79 po
<b>Poids</b> : Équipement de l'embout incl.	1,23 kg	2,58 lb	1,32 kg	2,78 lb
<b>Poids</b> : sans l'équipement de l'embout	1,11 kg	2,36 lb	1,17 kg	2,54 lb
<b>Volume d'air libre</b> : @ 5,5 bars	1,5 L	91,5 po <sup>3</sup>	2,5 L	134,2 po <sup>3</sup>
<b>Durée du cycle</b> : Approximative	0,4 secondes		0,6 secondes	

<b>Valeurs de bruits déterminées selon les codes de test de bruit ISO 15744 et ISO 3744.</b>		XT1	XT2
Niveau acoustique pondéré A dB(A), L <sub>WA</sub>	Bruit incertain : k <sub>WA</sub> = 3,0 dB(A)	89,9 dB(A)	89,5 dB(A)
Niveau de pression acoustique pondéré A à la station de travail dB(A), L <sub>pA</sub>	Bruit incertain : k <sub>pA</sub> = 3,0 dB(A)	78,9 dB(A)	78,5 dB(A)
Niveau de pression acoustique du pic pondéré C dB(C), L <sub>pc</sub> , pic	Bruit incertain : k <sub>pc</sub> = 3,0 dB(C)	80,4 dB(C)	78,9 dB(A)

<b>Valeurs de bruits déterminées selon les codes de test de vibration ISO 20643 et ISO 5349.</b>	XT1	XT2
Niveau d'émissions de vibrations, a <sub>hd</sub> :	0,84 m/s <sup>2</sup>	0,74 m/s <sup>2</sup>
Incertitude de la vibration : k	0,42 m/s <sup>2</sup>	0,37 m/s <sup>2</sup>
Valeurs d'émissions de vibrations déclarées conformément à la norme EN 12096		

## 2.2 CARACTÉRISTIQUES DE MISE EN PLACE

Type de rivet	2,4 [3/32 po]	3,2 [1/8 po]	4,0 [5/32 po]	4,3	4,8 [3/16 po]	5,0	6,0	7,0
Extrémité ouverte	①	●	●		②			
Extrémité fermée	①	●	●		②			
RH		●	②		②			
SSD SSHR		● (1)	② (1)					
À prises multiples		●	●		②			
TL		●	●		②			
À tige arrachée		●						
Rivet en T (Emhart)					② (1)			
Auto-obturateur		●	●		②			
Ultra-Grip (UG) (NPR)					②			
Avex®		●	●		②			
Stavex®		●	②		②			
Avinox®		●	②		②			
Avibulb®		●	②		②			
LSR/Bulbex®			●		②			
T-Lok®				②	②			
Avdel® SR		●	●		②			
Interlock®					②			
Monobolt®					② (1)			
Avseal® (STD)			② (1)(2)			② (1)(2)	② (1)(2)	② (1)(2)
Rivet en Q		②	②		②			
Klamp-Tite BAPK®					②			
Klamp-Tite BAPKTR®					② (1)			
VGrip					②			

● Est applicable aux deux outils XT1 et XT2

① Est applicable seulement à l'outil XT1

② Est applicable seulement à l'outil XT2

(1) Embout non standard requis

(2) Équipement de l'embout non standard requis.

Pour une liste complète de l'équipement de l'embout compatible pour chaque type de rivet, ainsi que les instructions d'assemblage et d'entretien, veuillez consulter le guide de l'équipement de l'embout ProSet 07900-09412

## 2.3 CONTENU DE L'EMBALLAGE

- 1 Outil de rivetage aveugle XT1 ou XT2 ProSet® XT1 or XT2.
- 1 Ensemble d'équipement de l'embout standard et d'embouts :
  - XT1** : 2,4 [3/32 po], 3,2 mm [1/8 po] et 4,0 mm [5/32 po]
  - XT2** : 3,2 mm [1/8 po], 4,0 m [5/32 po] 4,8 mm [3/16 po]
- 1 Guide d'utilisation imprimé – selon la région.

**2.4 LISTE DES COMPOSANTES PRINCIPALES**

Consultez les figures 1 et 2 et le tableau ci-dessous.

Article	Numéro de pièce	Description	Qté
1	TRM00360	Outil XT1 d'équipement de l'embout standard	1
	TRM00361	Outil XT2 d'équipement de l'embout standard	
2	TP144-171	Crochet de suspension	1
3	TRM00227	Collecteur du mandrin	1
4	07001-00405	Bouchon d'huile	1
5	07003-00194	Joint d'étanchéité	1
6	76003-02008	Gâchette	1
7	TRM00221	Robinet Marche/Arrêt	1

**2.5 ÉQUIPEMENT DE L'EMBOU STANDARD**

Consultez la figure 2 et le tableau ci-dessous.

Article	Numéro de pièce de l'outil XT1	Numéro de pièce de l'outil XT2	Description	Qté
1a	PRN314	-	Embout - 2,4 mm [3/32 po]	1
	-	PRN614	Embout - 4,8 mm [3/16 po] (installé sur XT2)	
1b	PRN414	PRN414	Embout - 3,2 mm [1/8 po] (installé XT1)	1
1c	PRN514	PRN514	Embout - 4,0 mm [5/32 po]	1
1d	TP144-111	TP144-048	Boîtier de l'embout	1
1e	TP144-091	TP144-091	Joint torique	1
1f	DPN239-006	DPN275-001	Guide des mors	1
1g	PRG402-8A	71210-15001	Mors	1 Ensemble
1h	TP144-117	TP144-050	Poussoir des mors	1
1i	TP144-118	TP144-088	Rondelle en uréthane	1
1j	TP144-119	TP144-081	Ressort du poussoir des mors	1
1k	TP144-120	TP144-052	Guide du mandrin	1
1l	TRM00167	TRM00165	Tête d'extraction	1
1m	TP144-113	TP144-051	Verrou du guide des mors	1
1n	TP144-114	TP144-080	Ressort du verrou du guide des mors	1
1o	DPN900-004	DPN900-002	Joint torique	1
1p	TRM00238	TRM00239	Écrou du boîtier de l'embout	1

Pour de l'équipement de l'embout supplémentaire, veuillez consulter le guide de l'équipement de l'embout ProSet® 07900-09412 ou visitez

[www.stanleyengineeredfastening.com/resource-center/document-library](http://www.stanleyengineeredfastening.com/resource-center/document-library)

Pour une liste complète des accessoires de l'outil, veuillez consulter le guide des accessoires ProSet 07900-09413.

### 3. CONFIGURATION DE L'OUTIL

**IMPORTANT - LISEZ ATTENTIVEMENT LES AVERTISSEMENTS DE SÉCURITÉ DANS LES PAGES 2 ET 3 AVANT DE METTRE EN SERVICE.**

**IMPORTANT - L'ALIMENTATION DE L'AIR DOIT ÊTRE ÉTEINTE OU DÉCONNECTÉE AVANT D'INSTALLER OU DE RETIRER L'ASSEMBLAGE DE L'EMBOUT.**

#### 3.1 ÉQUIPEMENT DE L'EMBOUT (RÉF. FIG. 2)

Les numéros des articles en gras font référence aux composantes dans les figures 1 et 2 et les tableaux de la page 8.

L'outil XT1 sera fourni assemblé au préalable avec l'embout pour les rivets de 3,2 mm [1/8 po] et les embouts pour les rivets 2,4 [3/32 po] et 4,0 mm [5/32] sont fournis séparément.

L'outil XT2 sera fourni assemblé au préalable avec l'embout pour les rivets de 4,8 mm [3/16 po] et les embouts pour les rivets 3,2 [1/8 po] et 4,0 mm [5/32 po] sont fournis séparément.

#### Installer l'embout

- L'alimentation de l'air doit être déconnectée.
- Sélectionnez le bon embout pour le rivet à installer.
- Retirez l'écrou du boîtier de l'embout (**1p**) et le boîtier de l'embout (**1d**), incluant l'embout (**1a, b or c**), et le joint torique (**1e**) de l'outil.
- Retirez l'embout (**1a,b,or c**) du boîtier de l'embout (**1d**)
- Sélectionnez l'embout de taille appropriée et assemblez dans l'ordre inverse.

#### Retirer tout l'équipement de l'embout.

- L'alimentation de l'air doit être déconnectée.
- Retirez l'écrou du boîtier de l'embout (**1p**) et le boîtier de l'embout (**1d**), incluant l'embout (**1a, b or c**), et le joint torique (**1e**) de l'outil.
- Tirez le verrou du guide des mors (**1m**) contre le ressort (**1n**), puis retirez le guide des mors (**1f**).
- Retirez les mors (**1g**) du guide des mors (**1f**).
- Retirez le poussoir des mors (**1h**), la rondelle en uréthane (**1i**) et le ressort du poussoir des mors (**1j**) de la tête d'extraction (**1l**).

#### Installer tout l'équipement de l'embout

- L'alimentation de l'air doit être déconnectée
- Toute pièce usée ou endommagée doit être remplacée.
- Nettoyez et vérifiez l'usure sur les mors (**1g**).
- Assurez-vous que le poussoir des mors (**1h**) ou le ressort du poussoir des mors (**1j**) n'est pas tordu.
- Enduisez légèrement les mors (**1g**) avec de la graisse au lithium Moly.
- Laisser tomber les mors (**1g**) dans le guide des mors (**1f**).
- Insérez le poussoir des mors (**1h**) et la rondelle en uréthane (**1i**) dans la tête d'extraction (**1l**).
- Tirez le verrou du guide des mors (**1m**) et visser complètement le guide des mors (**1f**) sur la tête d'extraction (**1l**).
- Relâchez le verrou du guide des mors (**1m**), puis dévissez partiellement le guide des mors (**1f**) jusqu'à ce que la dent du verrou du guide des mors (**1m**) clique dans la fente suivante sur le guide des mors (**1f**).
- Placez le boîtier de l'embout (**1d**) sur le guide des mors (**1f**) et serrez complètement sur l'outil.

Les assemblages des embouts doivent être entretenus une fois par semaine. Vous devez conserver une certaine quantité de toutes les composantes internes de l'assemblage de l'embout et des pointes de l'embout puisqu'elles devront être remplacées régulièrement.

### **3.2 ALIMENTATION DE L'AIR** (Réf. fig. 3.)

#### Composantes

- A. Robinet d'arrêt (utilisé durant l'entretien du filtre/régulateur ou des unités de lubrification)
  - B. Régulateur de pression et filtre (drainez quotidiennement)
  - C. Point de drainage de l'alimentation principale
  - D. Prise de l'alimentation principale
- Tous les outils sont utilisés avec de l'air comprimé à une pression minimum de 5,0 bars.
  - Régulateurs de pression et systèmes de huilage/filtrage automatiques à utiliser sur l'alimentation de l'air principale dans les 3 mètres de l'outil (consultez fig. 3).
  - Les tuyaux d'alimentation de l'air ont une pression nominale efficace de fonctionnement minimum de 150 % d'une pression maximum produite dans le système ou de 10 bars, selon la valeur la plus élevée.
  - Les tuyaux d'air doivent être résistant à l'huile, avoir un extérieur résistant à l'abrasion et être armés où les conditions d'utilisation peuvent faire en sorte que les tuyaux soient endommagés.
  - Tous les tuyaux d'air DOIVENT avoir un diamètre d'alésage minimum de 6,4 millimètres.
  - Vérifiez s'il y a des fuites d'air. S'ils sont endommagés, les tuyaux et les raccords doivent être remplacés par de nouveaux articles.
  - S'il n'y a aucun filtre sur le régulateur de pression, purgez la conduite d'air pour la nettoyer de la saleté ou de l'eau accumulés avant de connecter le tuyau d'air à l'outil.

### **3.3 PRINCIPE DE FONCTIONNEMENT**

**ATTENTION : LA BONNE PRESSION D'ALIMENTATION EST IMPORTANTE POUR UN FONCTIONNEMENT APPROPRIÉ DE L'OUTIL D'INSTALLATION. UNE BLESSURE CORPORELLE OU DES DOMMAGES À L'ÉQUIPEMENT PEUVENT SE PRODUIRE SANS LES BONNES PRESSIONS. LA PRESSION D'ALIMENTATION NE DOIT PAS EXCÉDER CELLE INDIQUÉE DANS LES CARACTÉRISTIQUES DE L'OUTIL DE MISE EN PLACE**

Les numéros des articles en gras font référence aux composantes dans les figures 1 et 2 et les tableaux de la page 8.

Lorsque le tuyau pneumatique est connecté à l'outil de mise en place, les cycles de tractions et de retours de l'outil sont contrôlés en appuyant et en relâchant la gâchette située (6) sur la poignée.

- L'alimentation de l'air doit être déconnectée.
- Connectez l'équipement de l'embout approprié comme décrit dans la page 7.
- Connectez le tuyau pneumatique au robinet Marche/Arrêt de l'air (7).
- Connectez le tuyau pneumatique à l'alimentation de l'air des conduites principales.
- Mettez en marche l'alimentation des conduites principales à l'outil en glissant le robinet Marche/Arrêt (7) à la position élevée.
- L'air est maintenant fourni à l'outil et le système d'aspiration est en fonction.
- Tirez et relâchez la gâchette (6) quelques fois jusqu'à la course complète de l'outil pour vérifier le fonctionnement. Observez l'action de l'outil. Vérifiez s'il y a des fuites d'air et/ou de liquide.



---

## 4. MODE DE FONCTIONNEMENT

### 4.1 FONCTIONNEMENT DE L'OUTIL (RÉF. FIG. 1, 4, 5, 6)

#### Installer un rivet aveugle

- Assurez-vous que le collecteur du mandrin (3) est fixé.
- Insérez le mandrin du rivet dans l'embout (1a, b ou c). Le système d'aspiration retiendra le rivet dans l'embout.
- Placez l'outil.
- Assurez-vous que l'équipement de l'embout est à angle droit (90°) avec la pièce de travail.
- Appuyez et maintenez la gâchette (6) jusqu'à ce que le rivet soit complètement enfoncé dans l'application.
- Lorsque le rivet est complètement enfoncé, relâchez la gâchette (6). L'outil retournera automatiquement à sa position initiale. Le mandrin est automatiquement baissé dans le collecteur du mandrin (3) par le système d'aspiration.
- Le collecteur du mandrin doit être vidé avant qu'il soit à moitié plein.

**ATTENTION – NE PAS FORCER L'INSERTION D'UN MANDRIN DU RIVET OU DU CORPS DU RIVET. CELA ENDOMMAGERA L'OUTIL ET/OU L'APPLICATION.**

### 4.2 VIDER LE COLLECTEUR DU MANDRIN. (RÉF. FIG. 1)

#### ATTENTION - NE PAS UTILISER L'OUTIL LORSQUE LE COLLECTEUR DU MANDRIN EST RETIRÉ

- L'outil est muni d'un collecteur du mandrin à connexion/libération rapide (3).
- Une rotation de 60° retire ou remet le collecteur du mandrin.
- Retirer le collecteur du mandrin (3) de l'outil éteint automatiquement la retenue du rivet par aspiration et le système d'aspiration du mandrin.
- Remplacez le collecteur du mandrin met le système d'aspiration en marche.

## 5. ENTRETIEN DE L'OUTIL

### 5.1 FRÉQUENCE DE L'ENTRETIEN

Un entretien régulier doit être effectué par du personnel formé et une inspection complète doit être effectuée annuellement ou chaque 500 000 cycles, selon ce qui est plus tôt.



DÉCONNECTER L'ALIMENTATION DE L'AIR



**ATTENTION** - *Ne jamais utiliser de solvant ou d'autres produits chimiques forts pour le nettoyage des pièces non métalliques de l'outil.*

*Ces produits chimiques peuvent affaiblir les matériaux utilisés dans ces pièces.*

### 5.2 ÉQUIPEMENT DE L'EMBOUT

Les assemblages des embouts doivent être entretenus une fois par semaine ou chaque 5000 cycles. Conservez une certaine quantité de toutes les composantes internes de l'assemblage de l'embout et des pièces de l'embout puisqu'elles doivent être remplacées régulièrement.

- Déconnectez l'alimentation de l'air
- Retirez tout l'assemblage de l'embout en suivant la procédure décrite dans la section 3.1.
- Inspectez toutes les composantes. Toute pièce usée ou endommagée doit être remplacée par une nouvelle pièce.
- Vérifiez particulièrement l'usure des mors (**1g**).
- Nettoyez toutes les pièces et appliquez de la graisse au lithium Moly (07992-00020) sur les mors (**1g**) et l'alésage conique du guide des mors (**1f**).
- Assemblez conformément aux instructions d'installation dans la section 3.2.

### 5.3 ENTRETIEN QUOTIDIEN

- Avant d'utiliser, vérifiez l'outil, le tuyau et les raccords pour voir s'il y a des fuites d'air et d'huile. S'il est endommagé, retirez l'outil du service et remplacez les articles affectés par de nouvelles pièces.
- S'il n'y a aucun filtre sur le régulateur de pression, purgez la conduite d'air pour la nettoyer de la saleté ou de l'eau accumulés avant de connecter le tuyau d'air à l'outil. S'il y a un filtre, égouttez-le.
- Vérifiez si l'équipement de l'embout (**1**) est correct pour le rivet à placer et qu'il est bien fixé.
- Vérifiez si la course de l'outil respecte la caractéristique minimum (réf. 2.1).
- Le collecteur du mandrin (**3**) doit être fixé à l'outil.
- Vérifiez si la chambre d'air est complètement serrée sur le corps de l'outil.

### 5.4 ENTRETIEN HEBDOMADAIRE

- Vérifiez l'outil, le tuyau et les raccords pour voir s'il y a des fuites d'air et d'huile. S'il est endommagé, retirez l'outil du service et remplacez les articles affectés par de nouvelles pièces.

Pour des instructions d'entretien et de dépannage, veuillez consulter le guide d'entretien n° 07900-09408 pour le XT1 et 07900-09409 pour le XT2.

Pour des données de sécurité relatives à la graisse et à l'huile utilisées dans cet outil, veuillez consulter le guide d'entretien n° 07900-09408 pour le XT1 et 07900-09409 pour le XT2.

### 5.5 PROTÉGER L'ENVIRONNEMENT

Assurez-vous de la conforme aux réglementations applicables sur l'élimination. Éliminez tous les déchets dans une installation ou un site de gestion des déchets approuvé afin de ne pas exposer le personnel et l'environnement aux dangers.

## 6. CE - DÉCLARATION DE CONFORMITÉ

### Original

Nous, **NIPPON POP Rivets, Noyori-cho aza hosoda, Toyohashi, Aichi, 441-8540 Japon**, déclarons être les seuls responsables du produit :

<b>Description</b>	Outils hydropneumatiques XT1 et XT2 de ProSet® pour rivets aveugles
<b>Marque/Modèle</b>	POP-Avdel® / 76001 et POP-Avdel® / 76002
<b>N° de série</b>	

auquel cette déclaration est liée, est conforme aux normes suivantes :

ISO 12100:2010	EN ISO 28927-5:2009/A1:2015
EN ISO 11202:2010	EN ISO 3744:2010
EN ISO 4413:2010	EN ISO 11148-1:2011
EN ISO 4414:2010	BS EN 28662-1:1993
	EN ISO 20643:2008+A1:2012

La documentation technique est présentée conformément à l'Annexe 1, section 1.7.4.1, conformément à la directive suivante :

### Directive sur l'équipement 2006/42/CE

Texte réglementaire Royaume-Uni 2008 n° 1597 - Référence des réglementations de l'approvisionnement en équipement (sécurité)

### Nobuharu Naito

#### Directeur principal – Ingénierie de recherche et de développement

Nippon POP Rivets, Noyori-cho aza hosoda Toyohashi  
Aichi, 441-8540 Japon

Signature



Lieu d'émission

Japon

Date d'émission

01.03.2017

### Représentant autorisé :

**A.K. Seewraj**

#### Responsable de la technologie – Blind Fastening UE

Avdel UK Limited; Stanley House, Works Road, Letchworth Garden City,  
Hertfordshire, SG6 1JY ROYAUME-UNI



Cet outil est conforme à la directive sur l'outil 2006/42/CE.

## 7. PROTÉGEZ VOTRE INVESTISSEMENT!

### 7.1 GARANTIE DE L'OUTIL DE RIVETAGE AVEUGLE POP®AVDEL®

STANLEY Engineered Fastening garantit que tous les outils électriques ont été soigneusement fabriqués et qu'ils sont exempts de tout défaut de matériaux et de main-d'œuvre en utilisation normale et l'entretien pendant une période de un (1) an.

Cette garantie s'applique au premier acheteur de l'outil pour l'utilisation originale seulement.

#### **Exclusions :**

##### **Usure normale.**

L'entretien périodique, les réparations et les pièces de remplacement dus à l'usure normale sont exclus de la couverture.

##### **Abus et mauvaise utilisation.**

Une défectuosité ou des dommages résultant d'une utilisation inappropriée, d'entreposage, d'une mauvaise utilisation, d'un abus ou d'une négligence, comme des dommages physiques sont exclus de la couverture.

##### **Service ou modification non autorisés.**

Les défectuosités ou les dommages résultant d'un service, d'un ajustement de test, d'une installation, d'un entretien, d'une altération ou d'une modification de quelque façon et par quiconque autre STANLEY Engineered Fastening ou ses centres de services autorisés, sont exclus de la couverture.

Toutes les autres garanties, qu'elles soient expresses ou implicites, incluant toute garantie de qualité marchande et d'adaptation sont par la présente exclues.

Si cet outil ne respecte pas la garantie, retournez rapidement l'outil à l'emplacement du centre de services autorisés le plus près. Pour une liste des centres de services autorisés POP®Avdel® aux États-Unis ou au Canada, contactez-nous à notre ligne sans frais au (877) 364-2781

À l'extérieur des États-Unis et du Canada, visitez notre site Web **[www.StanleyEngineeredFastening.com](http://www.StanleyEngineeredFastening.com)** pour trouver votre emplacement STANLEY Engineered Fastening le plus près.

STANLEY Engineered Fastening remplacera alors, sans aucuns frais, une ou des pièces trouvées par nous comme étant défectueuses en raison d'un défaut de fabrication et matériau ou de main-d'œuvre et retournera l'outil prépayé. Cela représente notre seule obligation sous cette garantie.

En aucun cas STANLEY Engineered Fastening ne sera tenu responsable de tout dommage consécutif ou spécial découlant de l'achat ou de l'utilisation de cet outil.

### 7.2 ENREGISTREZ VOTRE OUTIL DE RIVETAGE AVEUGLE EN LIGNE.

Pour enregistrer votre garantie en ligne, visitez-nous à

<http://www.stanleyengineeredfastening.com/popavdel-power/tools/warranty-card>.

Merci d'avoir choisi un outil de la marque POP®Avdel® de STANLEY® Engineered Fastening.

© 2017 Stanley Black & Decker, Inc.

Todos os direitos reservados.

As informações fornecidas aqui não podem ser reproduzidas e/ou publicadas de qualquer forma e através de qualquer meio (eletrônica ou mecanicamente) sem a permissão prévia explícita e por escrito da STANLEY Engineered Fastening. As informações fornecidas baseiam-se em dados conhecidos no momento do lançamento de esse produto. A STANLEY Engineered Fastening segue uma política de melhoria contínua de produtos, por isso seus produtos podem sofrer alterações. As informações fornecidas aqui se aplicam ao produto entregue pela STANLEY Engineered Fastening. Logo, a STANLEY Engineered Fastening não pode ser responsabilizada por qualquer dano resultante de desvios das especificações originais do produto.

As informações disponíveis foram elaboradas com o máximo cuidado. No entanto, a STANLEY Engineered Fastening não aceita responsabilidade por quaisquer falhas de informação ou suas conseqüências resultantes disso. A STANLEY Engineered Fastening não aceitará qualquer responsabilidade por danos provenientes de atividades executadas por terceiros. Os nomes de trabalho, nomes comerciais, marcas comerciais registradas etc. utilizadas pela STANLEY Engineered Fastening não devem ser considerados livres nos termos da legislação referentes à proteção das marcas.

## ÍNDICE

<b>1. DEFINIÇÕES DE SEGURANÇA .....</b>	<b>2</b>
1.1 REGRAS GERAIS DE SEGURANÇA .....	2
1.2 PERIGOS DE PROJÉTEIS .....	3
1.3 PERIGOS OPERACIONAIS .....	3
1.4 PERIGOS DE MOVIMENTOS REPETITIVOS .....	3
1.5 PERIGOS DE ACESSÓRIOS .....	4
1.6 PERIGOS NO LOCAL DE TRABALHO .....	4
1.7 PERIGOS DE RUÍDO .....	4
1.8 PERIGOS DE VIBRAÇÃO .....	4
1.9 INSTRUÇÕES ADICIONAIS DE SEGURANÇA PARA FERRAMENTAS ELÉTRICAS PNEUMÁTICAS .....	4
<b>2. ESPECIFICAÇÕES .....</b>	<b>6</b>
2.1 ESPECIFICAÇÕES DA FERRAMENTA .....	6
2.2 ESPECIFICAÇÕES DE APLICAÇÃO .....	7
2.3 CONTEÚDO DA EMBALAGEM .....	7
2.4 LISTA DE COMPONENTES PRINCIPAIS .....	8
2.5 NARIZ PADRÃO .....	8
<b>3. AJUSTE DA FERRAMENTA .....</b>	<b>9</b>
3.1 EQUIPAMENTO DO NARIZ (REF. FIG. 2) .....	9
3.2 ALIMENTAÇÃO DE AR (Ref. fig. 3.) .....	10
3.3 PRINCÍPIO DA OPERAÇÃO .....	10
<b>4. PROCEDIMENTO OPERACIONAL .....</b>	<b>11</b>
4.1 OPERAÇÃO DA FERRAMENTA (REF. FIG. 1, 4, 5, 6) .....	11
4.2 ESVAZIAMENTO DO COLETOR DE MANDRIL. (REF. FIG. 1) .....	11
<b>5. MANUTENÇÃO DA FERRAMENTA .....</b>	<b>12</b>
5.1 FREQUÊNCIA DE MANUTENÇÃO .....	12
5.2 NARIZ .....	12
5.3 MANUTENÇÃO DIÁRIA .....	12
5.4 MANUTENÇÃO SEMANAL .....	12
5.5 PROTEÇÃO AO MEIO AMBIENTE .....	12
<b>6. DECLARAÇÃO DE CONFORMIDADE DA CE .....</b>	<b>13</b>
<b>7. PROTEJA O SEU INVESTIMENTO! .....</b>	<b>14</b>
7.1 POP®AVDEL® ARANTIA DA FERRAMENTA DE REBITES CEGOS .....	14
7.2 REGISTRE SUA REBITADEIRA ON-LINE. ....	14



Esse manual de instruções deve ser lido por qualquer pessoa que instalará ou operará essa ferramenta, e com atenção especial para as seguintes regras de segurança.



Sempre use óculos de proteção resistente a impacto durante a operação da ferramenta. O grau de proteção necessário deve ser avaliado antes de cada uso.



Use proteção auricular de acordo com as instruções do empregador e como exigido por as regulações de saúde e segurança no trabalho.



O uso da ferramenta pode expor as mãos do operador a perigos de esmagamento, impacto, cortes, abrasões e calor. Use luvas apropriadas para proteger suas mãos.

## 1. DEFINIÇÕES DE SEGURANÇA

As definições abaixo descrevem o nível de gravidade de cada palavra de sinalização. Por favor, leia o manual e preste atenção nestes símbolos.



**PERIGO:** Indica uma situação de perigo iminente que, se não for evitada, poderá resultar em morte ou ferimentos graves.



**ADVERTÊNCIA:** Indica uma situação potencialmente perigosa que, se não for evitada, poderá resultar em morte ou ferimentos graves.



**CUIDADO:** Indica uma situação potencialmente perigosa que, se não for evitada, talvez resulte em ferimentos leves ou moderados.



**CUIDADO:** Usado sem o símbolo de alerta de segurança indica uma situação potencialmente perigosa que, se não for evitada, poderá resultar em danos materiais.

***A operação ou manutenção inadequada deste produto pode resultar em ferimentos graves e danos materiais.***

***Leia e entenda todos os avisos e instruções operacionais antes de utilizar este equipamento. Ao utilizar ferramentas elétricas, siga sempre as precauções básicas de segurança para reduzir o risco de lesões corporais.***

**GUARDE TODOS OS AVISOS E INSTRUÇÕES PARA CONSULTA FUTURA.**

### 1.1 REGRAS GERAIS DE SEGURANÇA

- Para conhecer seus vários perigos, leia e compreenda as instruções de segurança antes de instalar, operar, reparar, manter, trocar acessórios ou trabalhar próximo da ferramenta. Seu não cumprimento pode resultar em danos corporais graves.
- Somente operadores qualificados e treinados podem instalar, ajustar ou usar a ferramenta.
- NÃO use o produto fora de sua aplicação prevista no projeto da Rebitadeiras de Rebite Cego da STANLEY Engineered Fastening.
- Use apenas peças, parafusos, e acessórios recomendados pelo fabricante.
- NÃO modifique a ferramenta. Modificações podem reduzir a eficiência das medidas de segurança e aumentar os riscos para o operador. Qualquer modificação na ferramenta realizada por o cliente será de sua inteira responsabilidade e invalida quaisquer garantias aplicáveis.
- Não descarte as instruções de segurança, as entregue ao operador.
- Não use a ferramenta se estiver danificada.
- Antes de usar, verifique se há desalinhamentos ou junções de peças móveis, quebra de peças e qualquer outras condições que afetem o funcionamento da ferramenta. Se ela estiver danificada, envie-a à manutenção antes de usá-la. Remova chaves de ajuste ou chaves fixa antes de usá-la.
- Inspeção as ferramentas periodicamente para verificar se as classificações e marcações obrigatórias para essa peça por ISO 11148 estão visivelmente marcadas na ferramenta. O empregador/usuário deve contatar o fabricante para obter rótulos de marcação de reposição sempre que necessário.

- A ferramenta deve ser sempre mantida em condição operacional segura, e examinada por pessoal treinado em intervalos regulares quanto ao seu funcionamento e à presença de danos. Qualquer procedimento de desmontagem deve ser realizado apenas por pessoal treinado. Não desmonte esta ferramenta sem consultar antes as instruções de manutenção.

### **1.2 PERIGOS DE PROJÉTEIS**

- Desligue a mangueira de ar da ferramenta antes de executar qualquer manutenção, tentar ajustar, encaixar ou remover o conjunto ou acessórios do nariz.
- Esteja atento que avaria na peça de trabalho ou acessórios, ou mesmo na ferramenta inserida pode gerar projéteis a alta velocidade.
- Sempre use óculos de proteção resistente a impacto durante a operação da ferramenta. O grau de proteção necessário deve ser avaliado antes de cada uso.
- Avalie ao mesmo tempo os riscos para os outros.
- Se certifique que a peça de trabalho está bem presa.
- Controle se os meios de proteção contra ejeção de os grampos e/ou mandril está em seu lugar e está operacional.
- NÃO use a ferramenta sem o coletor de mandril instalado.
- Avise contra a possível ejeção forçada de mandris na parte frontal da ferramenta.
- NÃO opere uma ferramenta direcionada a uma pessoa(s).

### **1.3 PERIGOS OPERACIONAIS**

- O uso da ferramenta pode expor as mãos do operador a perigos de esmagamento, impacto, cortes, abrasões e calor. Use luvas apropriadas para proteger suas mãos.
- Os operadores e pessoal de manutenção devem ser fisicamente capazes de manejar o volume, peso e potência da ferramenta.
- Segure a ferramenta corretamente; esteja pronto a contrariar movimentos normais ou repentinos, e tenha sempre as duas mãos disponíveis.
- Mantenha cabos de ferramentas secos, limpos e sem óleo e graxa.
- Tenha uma posição do corpo equilibrada e com os pés bem pousados durante a operação da ferramenta.
- Solte o mecanismo de partida-e-parada no caso de interrupção em a alimentação hidráulica.
- Use somente lubrificantes recomendados por o fabricante.
- Deve-se evitar o contato com o fluido hidráulico. Para minimizar a possibilidade de erupções, tome cuidado para lavar o local cuidadosamente se o contato ocorrer.
- As Fichas de Especificações de Segurança do Material para todos os óleos e lubrificantes hidráulicos estão disponíveis em seu fornecedor local da ferramenta a pedido.
- Evite posturas não apropriadas, porque essas posições não permitem contrariar movimentos normais ou repentinos da ferramenta.
- Se a ferramenta está fixa a um mecanismo de suspensão, se certifique que a fixação é segura.
- Tenha cuidado com o risco de esmagamento se o equipamento do nariz não estiver montado.
- NÃO OPERE a ferramenta sem o invólucro do nariz.
- Antes de operar a ferramenta, os seus operadores precisam limpar as mãos adequadamente.
- Ao transportar a ferramenta de um lugar a outro, mantenha as mãos afastadas do gatilho para evitar um acionamento acidental.
- NÃO derrube a ferramenta ou a use como martelo.
- Tome cuidado para assegurar que os mandris gastos não se tornem um perigo.
- O coletor de mandril deve ser esvaziado quando estiver aproximadamente cheio pela metade.

### **1.4 PERIGOS DE MOVIMENTOS REPETITIVOS**

- Quando estiver usando a ferramenta, o operador pode experienciar algum desconforto em suas mãos, braços, ombros, pescoço ou outras partes do corpo.
- Quando estiver usando a ferramenta, o operador deve adotar uma postura confortável ao mesmo tempo que tem os pés bem colocados e evitar posturas desajeitadas ou sem equilíbrio. O operador deve mudar sua postura durante tarefas longas; isso pode ajudar a evitar desconforto e fadiga.

- Se o operador sente sintomas como desconforto, dor, dor latejante, zumbido, dormência, sensação de queimadura ou rigidez, persistente ou recorrente, não deve ignorar esses sinais de aviso. O operador deve informar o empregador e consultar um profissional de saúde.

### **1.5 PERIGOS DE ACESSÓRIOS**

- Desconecte a ferramenta da alimentação de ar antes de montar ou remover o conjunto ou acessório do nariz.
- Use somente tamanhos e tipos de acessórios e consumíveis recomendados por o fabricante da ferramenta; não use outros tipos ou tamanhos de acessórios ou consumíveis.

### **1.6 PERIGOS NO LOCAL DE TRABALHO**

- Escorregar, tropeçar e quedas são as causas principais de ferimentos no local de trabalho. Tenha cuidado com superfícies deslizantes causadas por o uso da ferramenta e também de perigo de tropeçar causado por as linhas de ar e tubos hidráulicos.
- Em ambientes que não conhece proceda com cuidado. Pode ter perigos escondidos, como linhas de eletricidade e outros serviços.
- A ferramenta não serve para usar em ambientes potencialmente explosivos e não está isolada contra contato com energia elétrica.
- Se certifique que não tem cabos elétricos, tubos de gás, etc. que possam causar um perigo se danificado por a ferramenta.
- Vista-se adequadamente. Não use roupas largas ou jóias. Mantenha cabelos, roupas e luvas longe das peças móveis. Roupas largas, jóias ou cabelos longos podem ficar presos nas peças móveis.
- Tome cuidado para assegurar que os mandris gastos não se tornem um perigo.

### **1.7 PERIGOS DE RUÍDO**

- Exposição a altos níveis de ruído pode causar perda de audição permanente e outros problemas, como tinnitus (sons ressoantes, zumbidos, assobios ou zunidos nos ouvidos). Por isso, a avaliação de risco e implementação de controles apropriados para esses perigos é essencial.
- Controles apropriados para reduzir esse risco podem incluir ações como materiais silenciadores para prevenir ruído sonante das peças de trabalho.
- Use proteção auricular de acordo com as instruções do empregador e como exigido por as regulações de saúde e segurança no trabalho.
- Opere e mantenha a ferramenta como recomendado em o Manual de Instruções, para evitar um aumento desnecessário do nível de ruído.
- Se certifique que o silenciador no interior do coletor de mandril está em seu lugar e em boas condições de trabalho quando a ferramenta está operando.

### **1.8 PERIGOS DE VIBRAÇÃO**

- Exposição a vibração pode causar lesões incapacitantes para os nervos e circulação de sangue nas mãos e braços.
- Use roupa quente se estiver trabalhando no exterior no frio e mantenha suas mãos quentes e secas.
- Se você experimentar dormência, zumbido, dor ou descoloração da pele em os dedos das mãos e mãos, pare de usar a ferramenta, informe seu empregador e consulte um médico.
- Sempre que possível, apóie o peso da ferramenta em um suporte, tensionador ou balanceador, porque assim pode usar um toque mais leve para suportar a ferramenta.

### **1.9 INSTRUÇÕES ADICIONAIS DE SEGURANÇA PARA FERRAMENTAS ELÉTRICAS PNEUMÁTICAS**

- O ar de alimentação operacional não deve exceder 7 bar (100 PSI).
- Ar sob pressão pode causar ferimentos graves.
- Nunca deixe a ferramenta funcionando sozinha. Desconecte a mangueira hidráulica quando a ferramenta não está sendo usada, antes de trocar acessórios ou antes de começar reparações.
- NÃO deixe a abertura de exaustão de ar no coletor de mandril virado para direção do operador ou de outras pessoas. Nunca dirija o ar contra você ou outra pessoa.



- Tubos chicoteando pode causar ferimentos graves. Sempre verifique se os tubos ou fixações têm danos ou estão frouxos.
- Antes do uso, verifique se há danos nas tubulações de ar, todas as conexões precisam estar seguras. Não deixe cair objetos pesados nas mangueiras. Um forte impacto pode causar danos internos e levar a avarias precoces da mangueira.
- Dirija sempre ar frio para longe de suas mãos.
- Sempre que sejam usados acoplamentos de flexão-torção (acoplamento de garra), deve instalar pinos de trava e controle se é necessário usar cabos de segurança para proteger contra possíveis falhas de conexão entre tubo-ferramenta ou tubo-tubo.
- NÃO levante a ferramenta pelas mangueiras. Sempre utilize a empunhadura da ferramenta.
- Orifícios de ventilação não devem estar bloqueados ou cobertos.
- Não deixe que o sistema hidráulico da ferramenta fique sujo ou com outros materiais, pois isso pode causar um funcionamento incorreto.

**A política da STANLEY Engineered Fastening tem como objetivo a melhoria e o desenvolvimento contínuos dos produtos. Assim, reservamo-nos o direito de alterar as especificações de qualquer produto sem aviso prévio.**

## 2. ESPECIFICAÇÕES

O ProSet® XT1 & XT2 são ferramentas hidro-pneumáticas projetadas para colocar rebites cegos da Stanley Engineered Fastening a alta velocidade. As ferramentas incluem um sistema de vácuo para retenção do rebite e coleta sem problemas dos mandris gastos, qualquer que seja a orientação da ferramenta.

Quando acoplado com o equipamento do nariz relevante, ProSet®XT1 & XT2 podem ser usadas para aplicar rebites cegos na faixa de Ø 2.4mm a Ø 4.8mm. Consulte a tabela na página 7 para obter a lista de todos os rebites que podem ser aplicados.

Siga os avisos de segurança nas páginas 2 & 3 todas as vezes.

**NÃO** use na presença de umidade ou de gases e líquidos inflamáveis.

### 2.1. ESPECIFICAÇÕES DA FERRAMENTA

	XT1		XT2	
<b>Força de Tração:</b> @ 5.5 bar	6,5 kN	1461 lbf	8,9 kN	2001 lbf
<b>Pressão de Alimentação de Ar:</b> Do mín. ao máx.	5.0 - 7.0 bar	72.5 - 101.5 lbf/in <sup>2</sup>	5.0 - 7.0 bar	72.5 - 101.5 lbf/in <sup>2</sup>
<b>Pressão do Óleo:</b> Tração @ 5,5 bar	160 bar	2320 lbf/in <sup>2</sup>	210 bar	3045 lbf/in <sup>2</sup>
<b>Curso:</b> Curso Mínimo do Pistão	17,8 mm	0.7 in.	19,8 mm	0.79 in.
<b>Peso:</b> Incluindo o nariz	1,23 kg	2,58 lb	1,32 kg	2,78 lb
<b>Peso:</b> sem equipamento do nariz	1,11 kg	2,36 lb	1,17 kg	2,54 lb
<b>Volume de Ar Livre:</b> @ 5.5 bar	1,5 ltr	91.5 in <sup>3</sup>	2,5 ltr	134.2 in <sup>3</sup>
<b>Tempo de Ciclo:</b> Aproximado	0,4 segundos		0,6 segundos	

<b>Valores de ruído determinados de acordo com o teste de ruído do código ISO 15744 e ISO 3744.</b>		XT1	XT2
Nível acústico ponderado A dB(A), L <sub>WA</sub>	Incerteza de ruído: k <sub>WA</sub> = 3.0 dB(A)	89,9 dB(A)	89,5 dB(A)
Emissão de som com Nível acústico ponderado A na estação de trabalho dB(A), L <sub>PA</sub>	Incerteza de ruído: k <sub>WA</sub> = 3.0 dB(A)	78,9 dB(A)	78,5 dB(A)
Nível de pressão de som com emissão de pico com ponderado C cN(C), L <sub>pc'</sub> pico	Incerteza de ruído: k <sub>WA</sub> = 3.0 dB(A)	80.4 dB(C)	78,9 dB(A)

<b>Valores de vibração determinados de acordo com o teste de ruído do código ISO 20643 e ISO 5349.</b>	XT1	XT2
Nível de emissão de vibração, a <sub>hd</sub>	0.84 m/s <sup>2</sup>	0.74 m/s <sup>2</sup>
Incerteza Vibrações: k	0.42 m/s <sup>2</sup>	0.37 m/s <sup>2</sup>
Valores de emissão de vibração declarados de acordo com EN 12096		

## 2.2 ESPECIFICAÇÕES DE APLICAÇÃO

Tipo de rebite	2,4 [3/32"]	3,2 [1/8"]	4,0 [5/32"]	4,3	4,8 [3/16"]	5,0	6,0	7,0
Extremidade Aberta	①	•	•		②			
Extremidade Fechada	①	•	•		②			
HR		•	②		②			
SSD SSHR		• (1)	② (1)					
Multigarra		•	•		②			
TL		•	•		②			
Pull-Thru		•						
Rebite T (Emhart)					② (1)			
Autoconector		•	•		②			
Ultra-Grip (UG) (NPR)					②			
Avex®		•	•		②			
Stavex®		•	②		②			
Avinox®		•	②		②			
Avibulb®		•	②		②			
LSR/Bulbex®			•		②			
T-Lok®				②	②			
Avdel® SR		•	•		②			
Interlock®					②			
Monobolt®					② (1)			
Avseal® (STD)			② (1)(2)			② (1)(2)	② (1)(2)	② (1)(2)
Rebite Q		②	②		②			
Klamp-Tite BAPK®					②			
Klamp-Tite BAPKTR®					② (1)			
VGrip					②			

● Aplicável para ambas as ferramentas XT1 e XT2

① É aplicável somente para a ferramenta XT1

② É aplicável somente para a ferramenta XT2

(1) É necessária uma peça não padrão do nariz

(2) É necessária uma peça não padrão do nariz.

Para obter uma lista completa dos diferentes narizes para cada tipo de rebite, juntamente com as instruções de montagem e manutenção, consulte o Manual do Nariz ProSet 07900-09412

## 2.3 CONTEÚDO DA EMBALAGEM

- 1 Rebitadeira de rebites cegos ProSet® XT1 ou XT2.
- 1 Conjunto de Acessórios e Nariz Padrão:  
**XT1:** 2.4 [3/32"], 3.2mm [1/8"] and 4.0m [5/32"]  
**XT2:** 3.2mm [1/8"], 4.0m [5/32"] 4.8mm [3/16"]
- 1 Manual de Instruções Impresso, dependendo da região.

**2.4 LISTA DE COMPONENTES PRINCIPAIS**

Consulte as figuras 1 e 2, e a tabela abaixo.

Item	Número de Peça	Descrição	Qtde
1	TRM00360	Ferramenta XT1 de nariz padrão	1
	TRM00361	Ferramenta XT2 de nariz padrão	
2	TP144-171	Gancho de suspensão	1
3	TRM00227	Coletor de mandril	1
4	07001-00405	Bujão do Óleo	1
5	07003-00194	Vedação	1
6	76003-02008	Gatilho	1
7	TRM00221	Válvula de ligar e desligar	1

**2.5 NARIZ PADRÃO**

Consulte a figura 2 e a tabela abaixo.

Item	Ferramenta XT1 Número de Peça	Ferramenta XT2 Número de Peça	Descrição	Qtde
1a	PRN314	-	Peça do Nariz - 2.4mm [3/32"]	1
	-	PRN614	Peça do Nariz - 4.8 mm [3/16"] (montada em XT2)	
1b	PRN414	PRN414	Peça do Nariz - 3.2 mm [1/8"] (mon- tada em XT1)	1
1c	PRN514	PRN514	Peça do Nariz - 4.0 mm [5/32"]	1
1d	TP144-111	TP144-048	Invólucro do nariz	1
1e	TP144-091	TP144-091	Anel O	1
1f	DPN239-006	DPN275-001	Guia da mandíbula	1
1g	PRG402-8A	71210-15001	Mandíbulas	1 Conjunto
1h	TP144-117	TP144-050	Empurrador da mandíbula	1
1i	TP144-118	TP144-088	Arruela de uretano	1
1j	TP144-119	TP144-081	Mola do empurrador da mandíbula	1
1k	TP144-120	TP144-052	Guia de mandril	1
1l	TRM00167	TRM00165	Cabeça	1
1m	TP144-113	TP144-051	Trava da guia da mandíbula	1
1n	TP144-114	TP144-080	Mola da trava da guia da mandíbula	1
1o	DPN900-004	DPN900-002	Anel O	1
1p	TRM00238	TRM00239	Porca do invólucro do nariz	1

Para informações adicionais sobre o nariz, consulte o Manual do Nariz ProSet® 07900--09412 ou acesse a página:

[www.stanleyengineeredfastening.com/resource-center/document-library](http://www.stanleyengineeredfastening.com/resource-center/document-library)

Para uma lista completa dos acessórios da ferramenta, consulte o Manual de Acessórios ProSet 07900-09413.

### 3. AJUSTE DA FERRAMENTA

**IMPORTANTE - LEIA AS AVISOS NAS PÁGS. 2 E 3 CUIDADOSAMENTE ANTES DE INICIAR O FUNCIONAMENTO.**

**IMPORTANTE - A ALIMENTAÇÃO DE AR PRECISA SER DESLIGADA OU DESCONECTADA ANTES DE ENCAIXAR OU REMOVER O CONJUNTO DO NARIZ.**

#### 3.1 EQUIPAMENTO DO NARIZ (REF. FIG. 2)

Os números de itens em negrito referem-se aos componentes nas figuras 1 e 2 e às tabelas na página 8.

A ferramenta XT1 é fornecida com a peça do nariz pré-montada para rebites de 3.2 mm [1/8"] e peças de nariz para rebites de 2.4 [3/32"] e 4.0mm [5/32] são fornecidas separadamente.

A ferramenta XT2 será fornecida pré-montada com o nariz 4,8 mm para rebites [3/16"] e as peças do nariz 3,2 [1/8"] e os rebites 4,0 [5/32"] são fornecidos separadamente.

#### Montagem do nariz

- Desconecte a alimentação de ar.
- Selecione o nariz correto para instalar o rebite.
- Remova a porca do invólucro do nariz (**1p**) e do invólucro do nariz (**1d**), incluindo a peça do nariz (**1a, b ou c**), e o anel O (**1e**) da ferramenta.
- Remova o nariz (**1a, b ou c**) do invólucro (**1d**)
- Selecione o nariz com o tamanho correto e monte em ordem inversa.

#### Remoção completa do nariz.

- Desconecte a alimentação de ar.
- Remova a porca do invólucro do nariz (**1p**) e do invólucro do nariz (**1d**), incluindo a peça do nariz (**1a, b ou c**), e o anel O (**1e**) da ferramenta.
- Empurre de volta a trava da guia da mandíbula (**1m**) contra a mola (**1n**) e depois remova a guia da mandíbula (**1f**).
- Remova as mandíbulas (**1g**) da guia da mandíbula (**1f**).
- Remova o empurrador de mandíbula (**1h**), a arruela de uretano (**1i**), e a mola do empurrador de mandíbula (**1j**), da cabeça (**1l**).

#### Montagem completa do nariz

- Desconecte a alimentação de ar
- Substitua qualquer parte desgastada ou danificada por uma nova.
- Limpe e verifique se há desgastes nas mandíbulas (**1g**).
- Assegure-se de que o empurrador de mandíbula (**1h**) ou a mola do empurrador de mandíbula (**1j**) não esteja deformado.
- Revista levemente as mandíbulas (**1g**) com graxa de lítio.
- Desça as mandíbulas (**1g**), colocando-as dentro da guia da mandíbula (**1f**).
- Insira o empurrador de mandíbula (**1h**), a arruela de uretano (**1i**) na cabeça (**1l**).
- Empurre de volta a trava da guia da mandíbula (**1m**) e parafuse (**1f**) a guia da mandíbula completamente na cabeça (**1l**).
- Solte a trava da guia da mandíbula (**1m**) e depois desaparafuse parcialmente a guia da mandíbula (**1f**) até que o dente da sua trava (**1m**) se encaixe na próxima ranhura da guia da mandíbula (**1f**).
- Coloque o invólucro do nariz (**1d**) sobre a guia da mandíbula (**1f**) e aperte-a completamente na ferramenta.

Os conjuntos do nariz devem passar por manutenção em intervalos semanais. É aconselhável manter algum estoque dos componentes internos do conjunto e das pontas do nariz, já que eles precisam ser repostos regularmente.

### 3.2 ALIMENTAÇÃO DE AR (Ref. fig. 3.)

#### Componentes

- A. Torneira (usada durante a manutenção do filtro/das unidades lubrificadas ou regulares)
  - B. Filtro e regulador de pressão (drenagem diária)
  - C. Ponto de drenagem da fonte de alimentação principal
  - D. Ponto de retirada da fonte de alimentação principal
- Todas as ferramentas são operadas com ar comprimido a uma pressão mínima de 5,0 bar.
  - Reguladores de pressão e os sistemas automáticos de lubrificação/filtragem devem ser usados na fonte de alimentação de ar principal a 3 metros da ferramenta (veja fig. 3).
  - Mangueiras de alimentação de ar terão um nível mínimo de pressão efetiva operacional de 150% da pressão máxima produzida no sistema ou 10 bar, o que for mais alto.
  - As mangueiras de ar devem ser à prova de óleo, ter um exterior resistente à abrasão, e blindadas, onde as condições operacionais possam danificá-las.
  - Todas as mangueiras de ar PRECISAM ter um diâmetro interno mínimo de 6,4 mm.
  - Verifique se tem vazamentos de ar. Mangueiras e acoplamentos precisam ser substituídos por novos se estiverem danificados.
  - Se não houver um filtro no regulador de pressão, purgue o tubo de ar para limpá-lo de água e sujeira acumuladas antes de conectar a mangueira de ar na ferramenta.

### 3.3 PRINCÍPIO DA OPERAÇÃO

**CUIDADO - A PRESSÃO DE ALIMENTAÇÃO APROPRIADA É IMPORTANTE PARA UM FUNCIONAMENTO CORRETO DA FERRAMENTA. LESÕES CORPORAIS OU DANOS AO EQUIPAMENTO PODEM OCORRER QUANDO NÃO HOUVER PRESSÕES CORRETAS. A PRESSÃO DE ALIMENTAÇÃO NÃO PODE EXCEDER O VALOR LISTADO NAS ESPECIFICAÇÕES DA FERRAMENTA**

Os números de itens em negrito referem-se aos componentes nas figuras 1 e 2 e às tabelas na página 8.

Quando a mangueira pneumática for conectada à ferramenta, os ciclos de tração e retorno da ferramenta serão controlados ao se pressionar e soltar o gatilho localizado na empunhadura **(6)**.

- A alimentação de ar precisa ser desconectada.
- Conecte o nariz apropriado, conforme descrito na página 7.
- Conecte a mangueira pneumática à válvula de ligar e desligar o ar **(7)**.
- Conecte a alimentação de ar principal da mangueira pneumática.
- Ligue a alimentação da tubulação à ferramenta deslizando para cima a válvula de ligar e desligar o ar **(7)**.
- Agora o ar está sendo alimentado à ferramenta e o sistema de vácuo está em operação.
- Empurre e solte o gatilho **(6)** algumas vezes para um curso completo da ferramenta a fim de verificar a operação. Observe a ação da ferramenta. Verifique se há vazamentos de ar e/ou fluidos.

---

## 4. PROCEDIMENTO OPERACIONAL

### 4.1 OPERAÇÃO DA FERRAMENTA (REF. FIG. 1, 4, 5, 6)

#### Instalação de um rebite cego

- Se certifique que o coletor de mandril (3) está montado.
- Insira o mandril de rebites no nariz (1a, b ou c). O sistema à vácuo reterá o rebite no nariz.
- Posicione a ferramenta.
- Assegure que o nariz esteja no ângulo correto (90°) à peça de trabalho.
- Pressione e segure pressionado (6) até que o rebite esteja totalmente ajustado à aplicação.
- Quando o rebite estiver completamente ajustado, solte o gatilho (6). A ferramenta retornará para a sua posição inicial automaticamente. O mandril cairá automaticamente dentro do coletor de mandril (3) devido ao sistema à vácuo.
- O coletor de mandril precisa ser esvaziado antes de estar cheio pela metade.

**CUIDADO - NÃO FORÇE A INSERÇÃO DE UM MANDRIL OU O CORPO DE REBITE. ISSO CAUSARÁ DANOS À FERRAMENTA E/OU À APLICAÇÃO.**

### 4.2 Esvaziamento do coletor de mandril. (REF. FIG. 1)

#### CUIDADO - NÃO USE A FERRAMENTA QUANDO O COLETOR DO MANDRIL ESTIVER SIDO REMOVIDO

- A ferramenta é encaixada com um coletor de mandril (3) com conexão/liberação rápido.
- Uma rotação de 60° remove ou substitui o coletor de mandril.
- Para remover o coletor de mandril (3) da ferramenta automaticamente, desligue o sistema de retenção de rebite e de extração do mandril.
- Para reencaixar o coletor de mandril, ligue o sistema à vácuo.

## 5. MANUTENÇÃO DA FERRAMENTA

### 5.1 FREQUÊNCIA DE MANUTENÇÃO

Manutenções regulares têm de ser executadas por pessoal treinado, e uma inspeção abrangente precisa ser realizada anualmente ou a cada 500.000 ciclos, ou o que ocorrer primeiramente.



DESCONEXÃO DA ALIMENTAÇÃO DE AR



**CUIDADO** - *Nunca use solventes ou outros produtos químicos para a limpeza das partes não metálicas da ferramenta.*

*Esses produtos químicos podem enfraquecer os materiais utilizados nestas partes.*

### 5.2 NARIZ

Os conjuntos do nariz precisam passar por manutenção semanalmente ou a cada 5.000 ciclos. É aconselhável manter algum estoque de componentes internos do conjunto e de peças do nariz, já que eles precisarão ser repostos regularmente.

- Desligue a alimentação de ar
- Remova conjunto do nariz completamente, seguindo o procedimento descrito na seção 3.1.
- Inspeccione todos os componentes. Todas peças desgastadas ou danificadas precisam ser substituídas por uma nova.
- Verifique especificamente se há desgastes nas mandíbulas (**1g**).
- Limpe todas as peças e aplique graxa de lítio (07992-00020) nas mandíbulas (**1g**) e os orifícios cônicos da guia da mandíbula (**1f**).
- Monte a ferramenta de acordo com as instruções de montagem na seção 3.2.

### 5.3 MANUTENÇÃO DIÁRIA

- Antes do uso, verifique se a ferramenta, o nariz e os acoplamentos possuem vazamentos de ar e óleo. Se estiver danificada, retire a ferramenta de operação e substitua os itens danificados por novas peças.
- Se não houver um filtro no regulador de pressão, purgue o tubo de ar para limpá-lo de água e sujeira acumuladas antes de conectar a mangueira de ar à ferramenta. Se houver um filtro, drene-o.
- Verifique se o nariz (**1**) é o correto para o rebite a ser aplicado e se ele se encaixa de modo apropriado.
- Verifique se o curso da ferramenta atende à especificação mínima (ref. 2.1).
- O coletor de mandril (**3**) precisa ser encaixado à ferramenta.
- Verifique se a câmara de ar está completamente apertada no corpo da ferramenta.

### 5.4 MANUTENÇÃO SEMANAL

- Antes do uso, verifique se a ferramenta, o nariz e os acoplamentos possuem vazamentos de ar e óleo. Se estiver danificada, retire a ferramenta de operação e substitua os itens danificados por novas peças.

Para obter instruções completas sobre manutenção, resolução de problemas e manutenção, consulte o Manual N.º. 07900-09408 para a XT1 e 07900-09409 para a XT2.

Para obter Dados de Segurança relacionados à graxa e ao óleo usados nesta ferramenta, consulte os Manuais de Manutenção N.º. 07900-09408 para a XT1 e n.º. 07900-09409 para a XT2.

### 5.5 PROTEÇÃO AO MEIO AMBIENTE

Assegure conformidade com as regras aplicáveis de descarte. Descarte todos os produtos resíduo em uma estação ou local aprovado de resíduos para não expor o pessoal e o meio-ambiente a perigos.



## 6. DECLARAÇÃO DE CONFORMIDADE DA CE

### Original

Nós, **NIPPON POP Rivets, Noyori-cho aza hosoda, Toyohashi, Aichi, 441-8540 Japão**, declaramos sob nossa responsabilidade exclusiva que o produto:

<b>Descrição</b>	Ferramentas Hidropneumáticas ProSet® XT1 e XT2 para Rebites Cegos
<b>Marca/Modelo</b>	POP-Avdel® / 76001 e POP-Avdel® / 76002
<b>No. de Série</b>	

ao qual esta declaração se refere, está em conformidade com as seguintes normas:

ISO 12100:2010	EN ISO 28927-5:2009/A1:2015
EN ISO 11202:2010	EN ISO 3744:2010
EN ISO 4413:2010	EN ISO 11148-1:2011
EN ISO 4414:2010	EN ISO 28662-1:1993
	EN ISO 20643:2008+A1:2012

Documentação técnica está compilada em conformidade com o Anexo 1, seção 1.7.4.1, em acordo com a seguinte diretriz:

### 2006/42/CE A Diretriz de Máquinas

Instrumentos do Estatuto - Reino Unido 2008 No. 1597 - As Normas de Fornecimento de Máquinas (Segurança).

### Nobuharu Naito

#### Gerente Sênior – R&D Engineering

Nippon POP Rivets, Noyori-cho aza hosoda Toyohashi  
Aichi, 441-8540 Japão

Assinatura



Local de publicação

Japão

Data de edição

01.03.2017

### Representante Autorizado:

**A.K. Seewraj**

**Diretor de Tecnologia – Rebitagem da UE**

Avdel UK Limited; Stanley House, Works Road, Letchworth Garden City,  
Hertfordshire, SG6 1JY GRÃ BRETANHA



Esta máquina está em conformidade com a Diretriz de Máquinas 2006/42/CE.

## 7. PROTEJA O SEU INVESTIMENTO!

### 7.1 POP®AVDEL® ARANTIA DA FERRAMENTA DE REBITES CEGOS

STANLEY Engineered Fastening garante que todas as máquinas elétricas foram cuidadosamente fabricadas e não apresentarão defeitos de material nem de fabricação no seu uso normal e para serviços por um período de um (1) ano.

Esta garantia aplica-se ao primeiro comprador da máquina e apenas ao seu uso original.

#### **Exclusões:**

##### **Uso e desgaste normal.**

Manutenções periódicas, reparos e reposições de peças devido ao uso e ao desgaste normal estão excluídos da cobertura da garantia.

##### **Abuso & Uso Indevido.**

Defeitos ou danos resultados de operação incorreta, armazenamento e uso indevidos ou abuso, acidente ou negligência, como danos físicos, estão excluídos da cobertura da garantia.

##### **Modificação ou Manutenção Não Autorizada.**

Defeitos ou danos resultantes de operações, testes, ajustes, instalações, manutenções, alterações ou modificações de qualquer forma não realizadas pelo pessoal da STANLEY Engineered Fastening, ou de seus centros de serviços autorizados, estão excluídos da cobertura da garantia.

Todas as outras garantias, explícitas ou implícitas, incluindo quaisquer garantias de comercialização ou adequação para qualquer propósito, estão excluídas.

Se a máquina não atende aos requisitos de garantia, devolva-a imediatamente ao nosso centro de serviços autorizados de fábrica mais próximo. Para uma lista de postos de assistências técnica autorizados da POP®Avdel® nos EUA ou Canadá, entre em contato conosco pelo número gratuito (877)364 2781.

Fora dos EUA e Canada, visite o nosso website **[www.StanleyEngineeredFastening.com](http://www.StanleyEngineeredFastening.com)** para encontrar o centro de serviços STANLEY Engineered Fastening mais próximo.

A STANLEY Engineered Fastening trocará então, gratuitamente, qualquer peça ou peças, as quais apresentam defeitos devido a uma falha de material ou de fabricação e, devolverá a máquina pré-paga. Isto representa nossa obrigação única sob esta garantia.

Em nenhuma circunstância a STANLEY Engineered Fastening deverá ser responsabilizada por quaisquer danos resultantes ou especiais oriundos da compra ou uso desta máquina.

### 7.2 REGISTRE SUA REBITADEIRA ON-LINE.

Para registrar sua garantia on-line, acesse:

<http://www.stanleyengineeredfastening.com/popavdel-powertools/warranty-card>.

Agradecemos por escolher uma máquina da marca STANLEY Engineered Fastening POP®Avdel®.



**STANLEY**  
Engineered Fastening

**STANLEY Engineered Fastening**

STANLEY House, Works Road  
Letchworth Garden City  
Hertfordshire, United Kingdom  
SG6 1JY  
Tel: +44 1582 900 000  
Fax: +44 1582 900 001



## Holding your world together®

Find your closest STANLEY Engineered Fastening location on  
[www.stanleyengineeredfastening.com/contact](http://www.stanleyengineeredfastening.com/contact)  
For an authorized distributor nearby please check

[www.stanleyengineeredfastening.com/econtact/distributors](http://www.stanleyengineeredfastening.com/econtact/distributors)

Manual Number	Issue	C/N
07900-09402	C	19/300

**STANLEY**  
Assembly Technologies

Stanley Engineered Fastening — a division of Stanley Black and Decker — is the global leader in precision fastening and assembly solutions. Our industry-leading brands, Avdel®, Integra™, Nelson®, Optia™, POP®, Stanley® Assembly Technologies, and Tucker®, elevate what our customers create. Backed by a team of passionate and responsive problem-solvers, we empower engineers who are changing the world.

STANLEY ENGINEERED FASTENING FAMILY OF BRANDS

AVDEL

INTEGRA

NELSON

OPTIA

POP

STANLEY  
Assembly Technologies

TUCKER